



#### FUNCTION

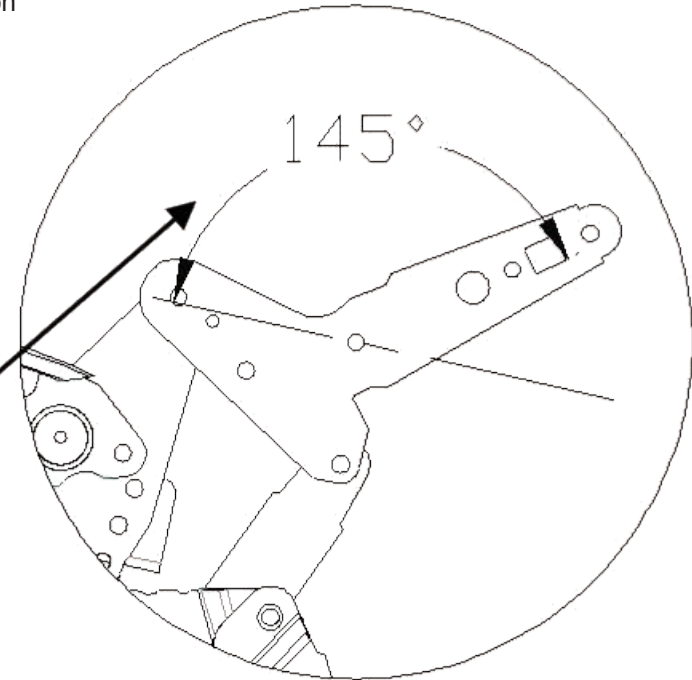
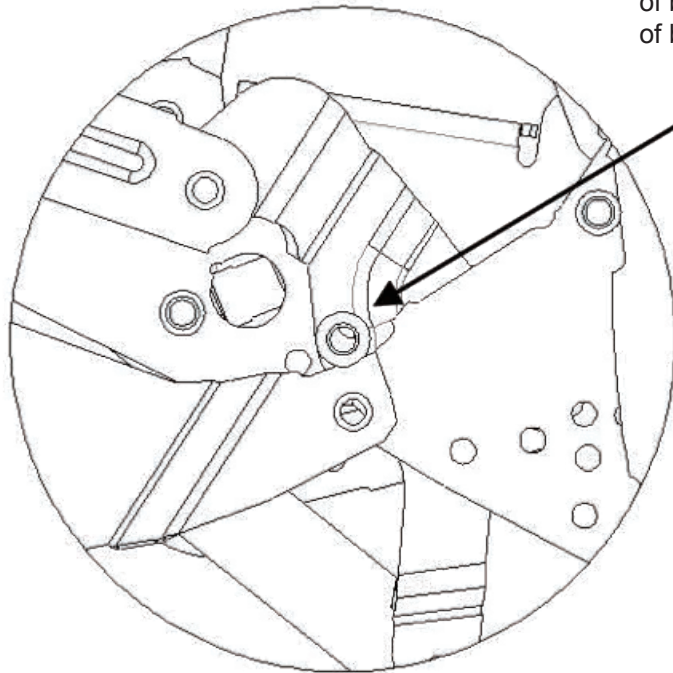
- The Zero Wall Mechanism enhances the comfort with stretching height of the footrest
- KD back brackets allow easy back removal for packing and handing
- Available in -0\ -1\ -2...-10 and more seat widths
- Available with Cable/Lever, Outside Handle and Inside Handle
- Application for Chairs , Loveseats, Sofas, Sectionals and Home Theaters, optional for rail or modular construction
- Geometry theory used to allow occupant's weight to balance the chair operation
- 168 is the motorized version of 158 Zero Wall Mechanism.

#### ADVANTAGES

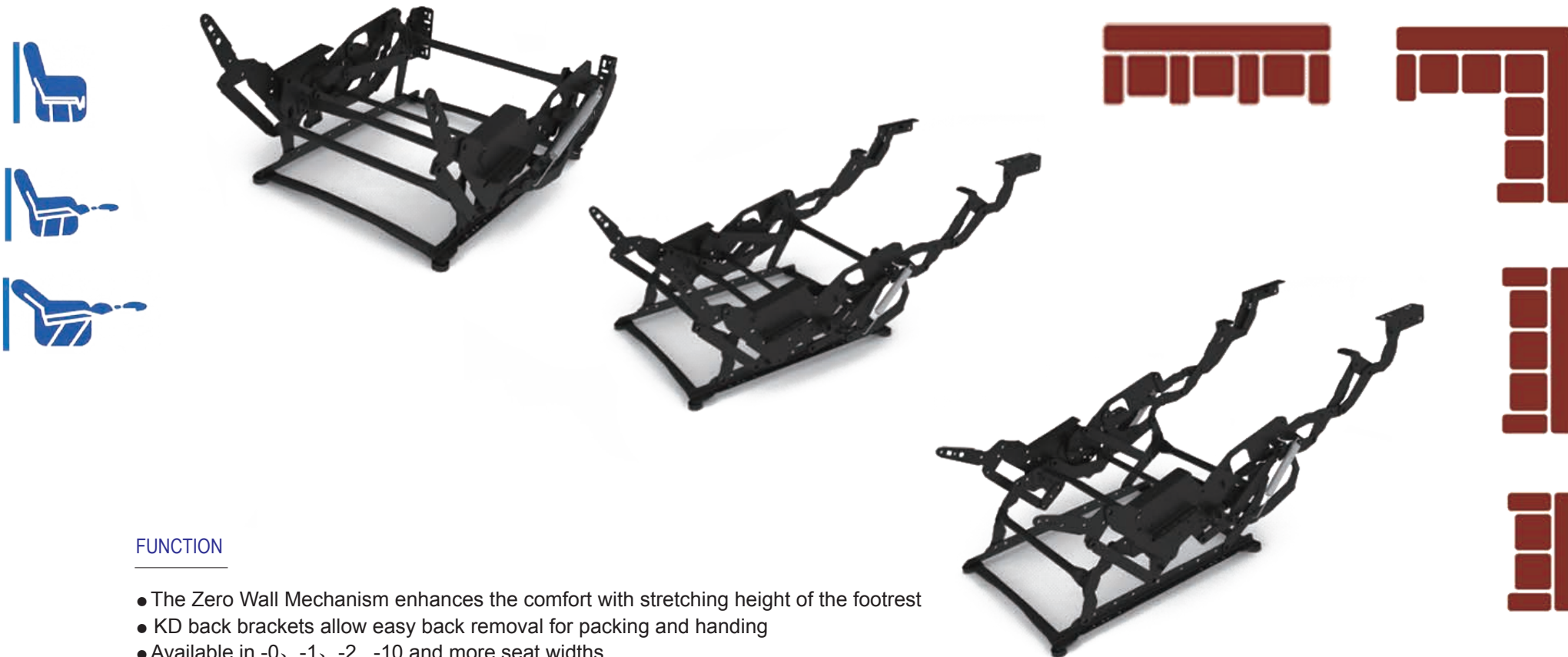
- Multi-stops make it more stable while sitting in sofa with KD back bracket.
- The 145° best recline position with zero gravity.
- The squeezing of mid-ottoman and cushion is prevented by the lowered mid-ottoman which is applicable to more types.
- Legs without wrapper enhances safety performance
- It prevents sinking in case there is heavy weight on the footrest when in TV position.

#### IMPROVEMENTS

Multi-stops make it more stable while sitting in sofa with KD back bracket so as to prevent the looseness of backrests and variation in the position of backrests of love seat and sofa.



The 145° angle between backrest and seat box and the elevated footrest altogether help to realize best recline position with no stress on heart.



#### FUNCTION

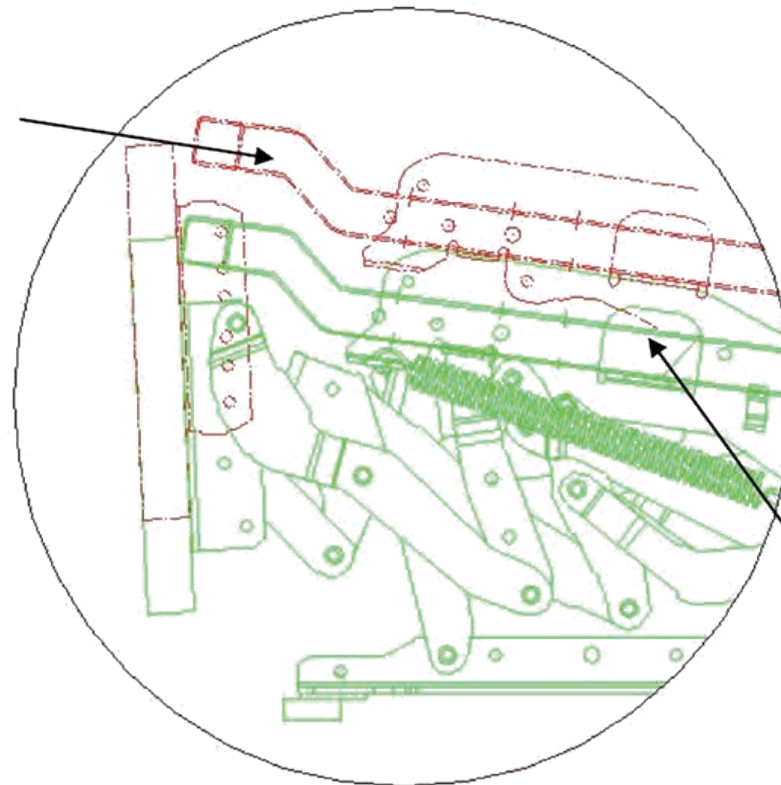
- The Zero Wall Mechanism enhances the comfort with stretching height of the footrest
- KD back brackets allow easy back removal for packing and handling
- Available in -0、 -1、 -2...-10 and more seat widths
- Available with Cable/Lever, Outside Handle and Inside Handle
- Application for Chairs , Loveseats, Sofas, Sectionals and Home Theaters, optional for rail or modular construction
- Geometry theory used to allow occupant's weight to balance chair operation
- 268 is the motorized version of 258 Zero Wall Mechanism.

#### ADVANTAGES

- Lower the seat by 8 cm which is helpful to design various styles of functional sofa
- Optional for rail; the heightened footrest and the totally hidden rail elevate grade and value
- It can be connected with H bracket, achieving Arms to the Floor and Zero Wall at the same time
- The shortened length and increased intensity help to prolong service life , improve performance and enhance grade while keeping the original width of leg and foot components

#### IMPROVEMENTS

The height of footrest, wood frame and seat box of similar product



Lower the seat by 5 cm



#### FUNCTION

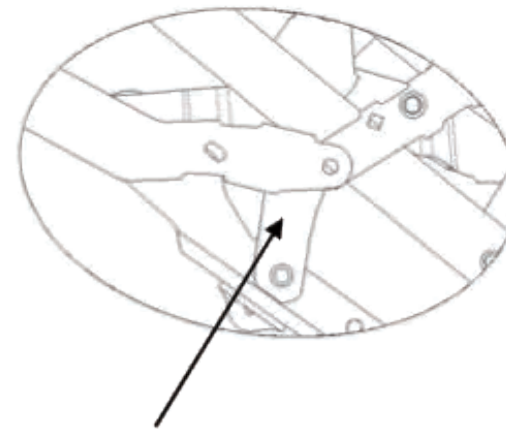
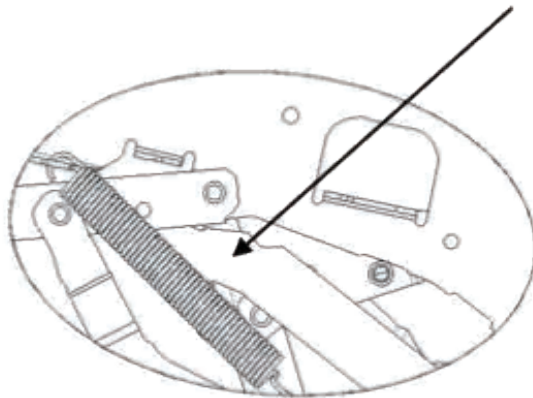
- The Zero Wall Mechanism enhances the comfort with stretching height of the footrest
- KD back brackets allow easy back removal for packing and handling
- Available in -0、 -1、 -2...-10 and more seat widths
- Available with Cable/Lever, Outside Handle and Inside Handle
- Application for Chairs , Loveseats, Sofas, Sectionals and Home Theaters, optional for rail or modular construction
- Geometry theory used to allow occupant's weight to balance the chair operation
- 368 is the motorized version of 358 Zero Wall Mechanism.

#### ADVANTAGES

- The properly designed joints, limits and other components add convenience of effortless control
- More concise in appearance

#### IMPROVEMENTS

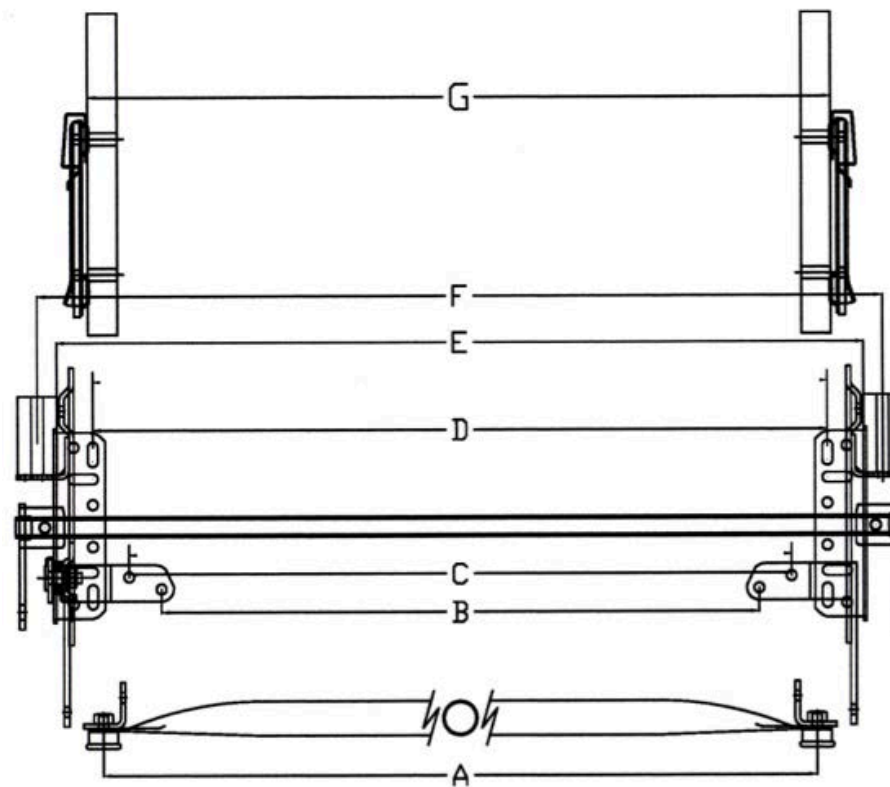
The optimal design of limits & joints & benched components on legs make it easier to open and retract.



The improvement of joints activates the backrest more smoothly.



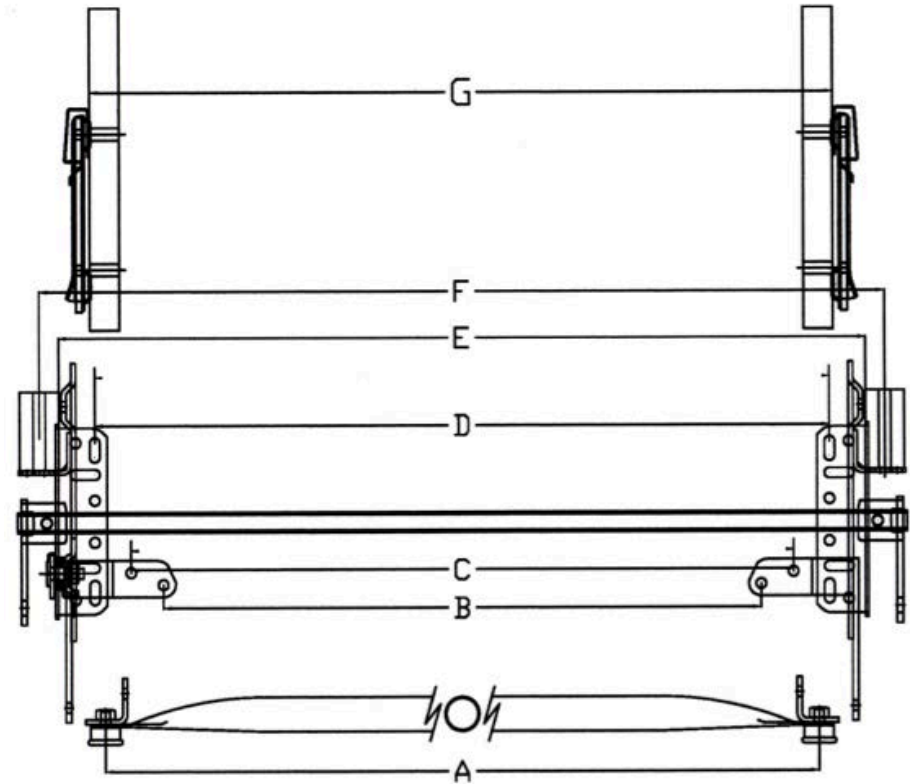
| Dimensions (in mm) |                             |                       |                       |          |                       |  |                    |
|--------------------|-----------------------------|-----------------------|-----------------------|----------|-----------------------|--|--------------------|
| location:          | A                           | B                     | C                     | D        | E                     | F  | G                  |
| dash<br>↓          | bottom<br>connecting<br>rod | safety<br>stands<br>1 | safety<br>stands<br>2 | footrest | inside of<br>seat box | the<br>location<br>hole of<br>seat frame | outside of<br>back |
| -0                 | 387.4                       | 312.1                 | 354.1                 | 400.9    | 447.7                 | 473                                      | 416.4              |
| -1                 | 412.8                       | 337.5                 | 379.5                 | 426.3    | 473.1                 | 498.4                                    | 441.8              |
| -2                 | 438.2                       | 362.9                 | 404.9                 | 451.7    | 498.5                 | 523.8                                    | 467.2              |
| -3                 | 463.6                       | 388.3                 | 430.3                 | 477.1    | 523.9                 | 549.2                                    | 492.6              |
| -4                 | 489                         | 413.7                 | 455.7                 | 502.5    | 549.3                 | 574.6                                    | 518                |
| -5                 | 514.4                       | 439.1                 | 481.1                 | 527.9    | 574.7                 | 600                                      | 543.4              |
| -6                 | 539.8                       | 464.5                 | 506.5                 | 553.3    | 600.1                 | 625.4                                    | 568.8              |
| -7                 | 565.2                       | 489.9                 | 531.9                 | 578.7    | 625.5                 | 650.8                                    | 594.2              |
| -8                 | 590.6                       | 515.3                 | 557.3                 | 604.1    | 650.9                 | 676.2                                    | 619.6              |
| -9                 | 616                         | 540.7                 | 582.7                 | 629.5    | 676.3                 | 701.6                                    | 645                |
| -10                | 641.4                       | 566.1                 | 608.1                 | 654.9    | 701.7                 | 727                                      | 670.4              |



models: Zero Wall (158, 258, 358)



| Dimensions (in mm) |                       |                 |                 |          |                    |                                 |                 |
|--------------------|-----------------------|-----------------|-----------------|----------|--------------------|---------------------------------|-----------------|
| location:          | A                     | B               | C               | D        | E                  | F                               | G               |
| dash<br>↓          | bottom connecting rod | safety stands 1 | safety stands 2 | footrest | inside of seat box | the location hole of seat frame | outside of back |
| -0                 | 387.4                 | 312.1           | 354.1           | 400.9    | 447.7              | 491                             | 416.4           |
| -1                 | 412.8                 | 337.5           | 379.5           | 426.3    | 473.1              | 516.4                           | 441.8           |
| -2                 | 438.2                 | 362.9           | 404.9           | 451.7    | 498.5              | 541.8                           | 467.2           |
| -3                 | 463.6                 | 388.3           | 430.3           | 477.1    | 523.9              | 567.2                           | 492.6           |
| -4                 | 489                   | 413.7           | 455.7           | 502.5    | 549.3              | 592.6                           | 518             |
| -5                 | 514.4                 | 439.1           | 481.1           | 527.9    | 574.7              | 618                             | 543.4           |
| -6                 | 539.8                 | 464.5           | 506.5           | 553.3    | 600.1              | 643.4                           | 568.8           |
| -7                 | 565.2                 | 489.9           | 531.9           | 578.7    | 625.5              | 668.8                           | 594.2           |
| -8                 | 590.6                 | 515.3           | 557.3           | 604.1    | 650.9              | 694.2                           | 619.6           |
| -9                 | 616                   | 540.7           | 582.7           | 629.5    | 676.3              | 719.6                           | 645             |
| -10                | 641.4                 | 566.1           | 608.1           | 654.9    | 701.7              | 745                             | 670.4           |



models: Zero Wall (159, 355, 359)