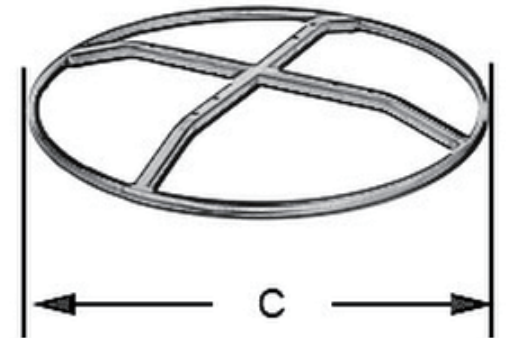
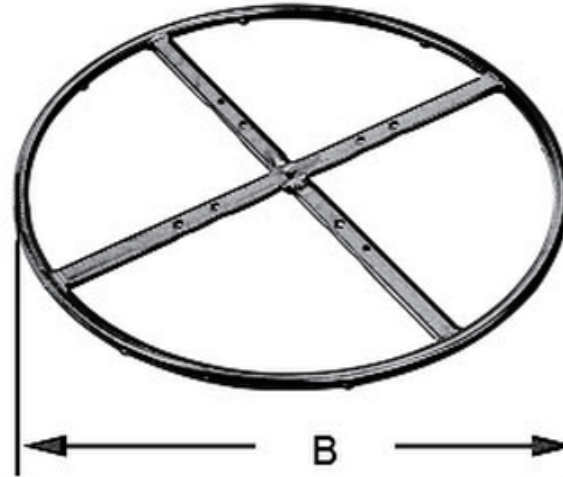
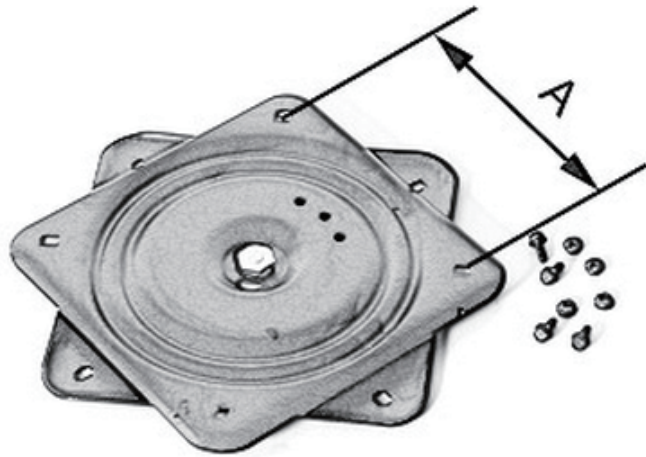




Heavy duty & Pre-loaded "SWIVEL"& "SWIVEL RING BASE"

- Durable and long life under 25,000 cycles test
- No noise and runs smoothly
- Pre-loaded process technology
- 25.4 cm swivel and ring base tested under 120kg loading
- 15.2 cm swivel and ring base tested under 80kg loading
- Fit to recliner, stationary chair, club chair and children chairs



A= 25.4cm Heavy duty chairs, recliners, gliders, rockers
A= 20.3cm Bar stools, child chairs, 180 degree return
A= 15.2cm Bar stools

B= 59.5, 61, 63.5, 68.6 cm for different size of swivel chairs, 61cm for recliners

C= 59.5cm for child chairs and bar stools

