



#### **Stainless Flat Base designed for Contemporary sofa chairs and bar stools**

- Heavy duty under 200kg stress test
- Diameters available: 540mm
- Knock down design for higher container volume and surface protection.
- 50mm heavy duty swivel column with two colors optional silver or black
- Nylon glides on the bottom to protect floor
- 540mm diameter heavy duty and pre-loaded column.

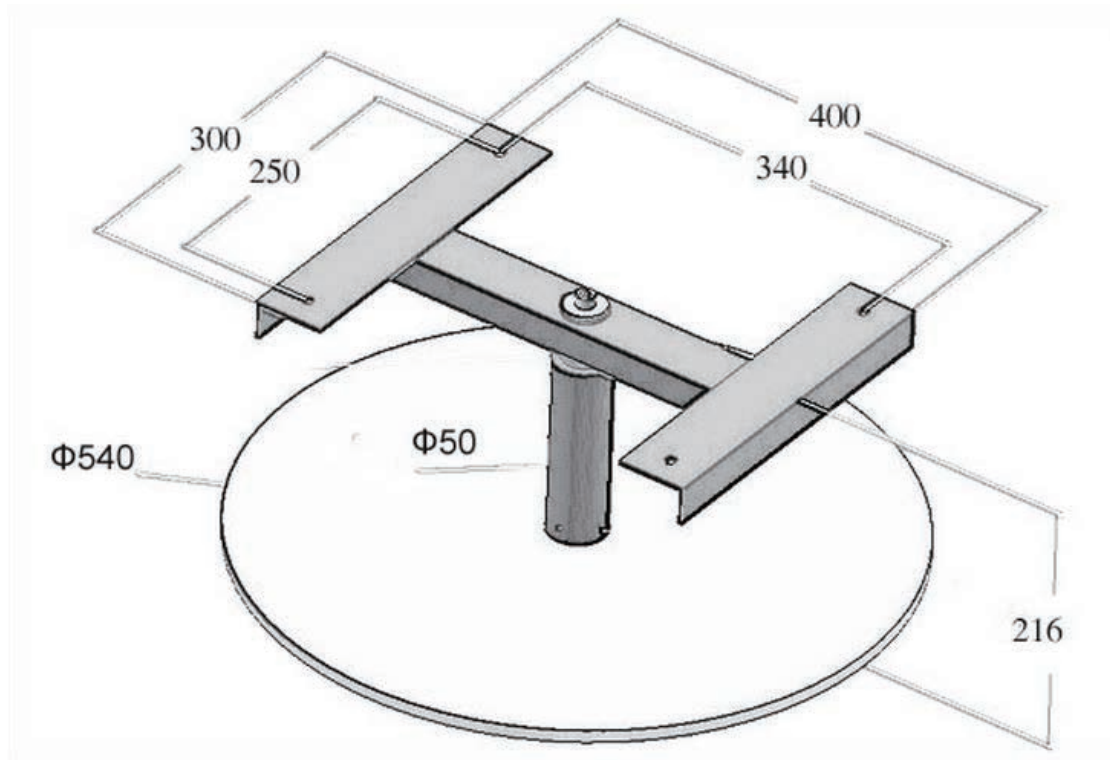
**Note:** Flat stainless base is very important for studios, hotels, coffee bars, etc.

# Flat Base#

S E R I E S



## STAINLESS FLAT BASE



From floor to top of plate: 216mm  
Swivel Column: 50mm  
Base Diameter: 540mm  
Mounting holes pitch: 250x340mm  
Chassis size: 300x400mm

