

TFN00
S E R I E S



*TFN00 SERIES 3-FOLD THICK MATTRESS (10cm)
RESIDENTIAL SOFABED MECHANISMS*

DUAL ONE PIECE CURVED LEGS

Provides enhanced stability and strength, allowing the unit to be operated from the center or side location.

OVER-CENTRE-LOCKS HEAVY DUTY LOCKING PARTS

Enclose very well the mattress for comfortable sitting and to reduce sitting noise.

TIGHTER WEAVE & SMOOTH PU-DECK

An Innovative Superb New tighter Weave material creates a more durable surface and eliminates wear and tear of the mattress, cushions and upholstery fabric.



HEAVY DUTY TUBE HINGES

Flat in open position.

SHALLOW MOUNTING SPACE

Depth: only 64 cm, to save space

THE LOW LINKAGE

All metal parts below the mattress line.

INCREASE HELICAL QUANTITY

For comfort and durability.

EAR BRACKETS

Protect the mechanism from side to side.

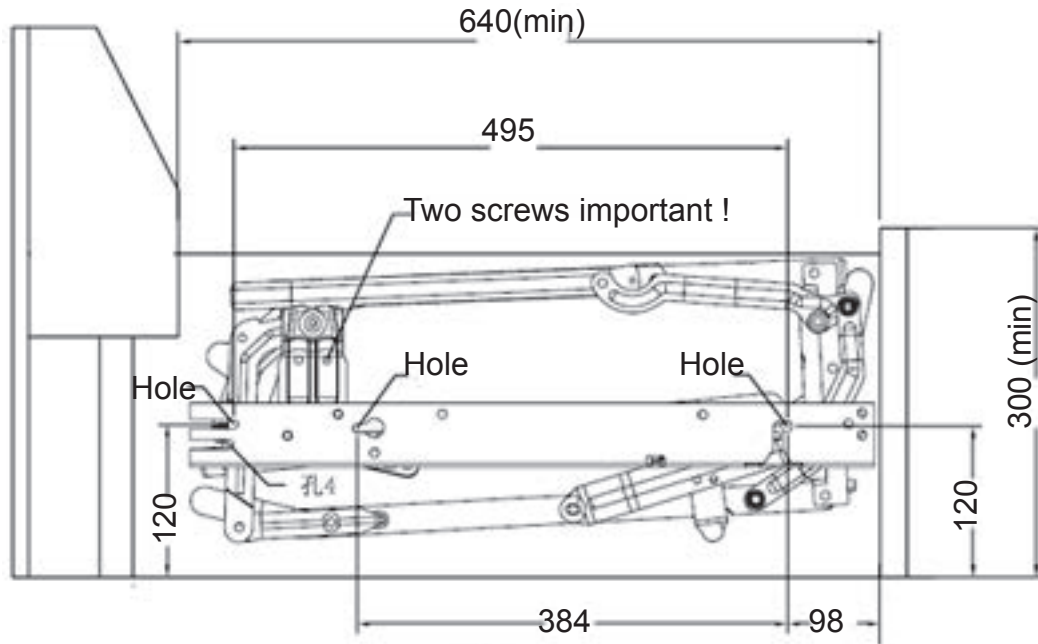
PLASTIC PROTECTORS

4 plastic feet to protect floor.

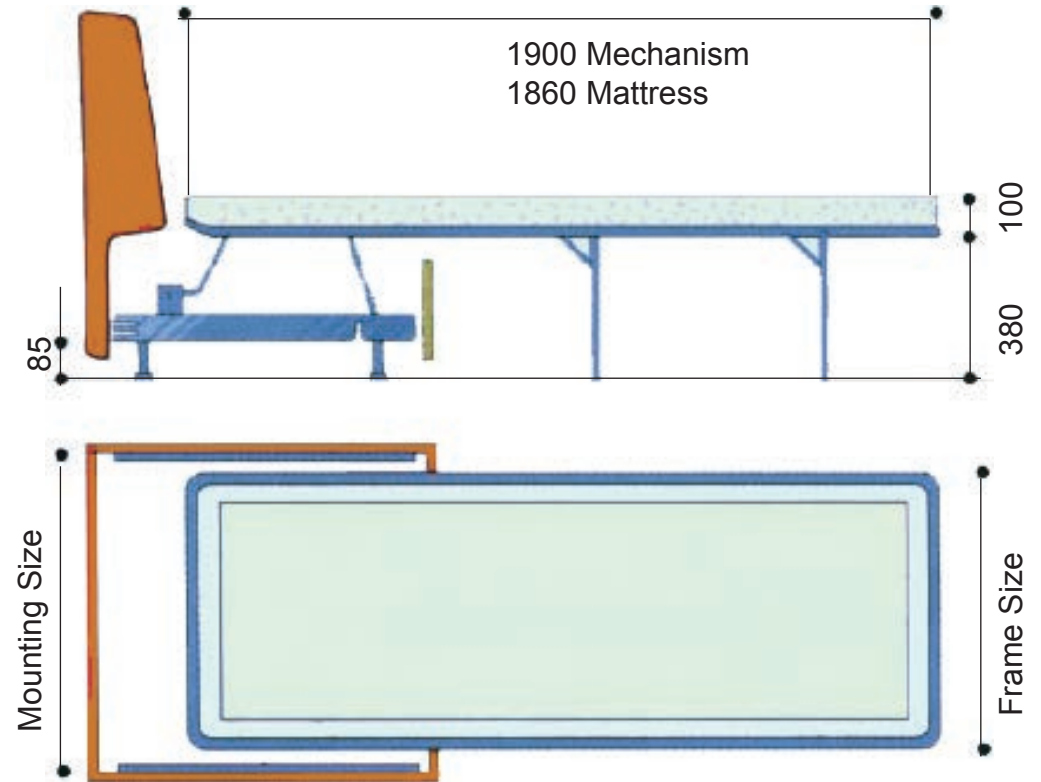
LEGS TOUCH THE FLOOR WELL

Provides a smooth and visually appealing look, legs touch the floor well for stability and strength.





(in general, dimensions in mm)



Description: 3-fold sofa bed mechanism

Item Number: TFN00/P/K/S/M

P-2 slats K-4 slats

S-all slats M- Front U bar

00 - Code (next page)

Material: Steel Tube, thickness 1,5 mm

Slats Size: 60x10 mm

Slats Type: Birch and flexible spring connection

Color: Black or Silver grey

Mattress: 10 cm thick foam -or spring mattress

Finish: Epoxy powder coated

Made in: Jiaxing, China

Usage grade: Occasionally

Advantage:

1. Super easy to operate
2. Flat in open position and legs touch the floor well
3. Innovative Superb New tighter Weave material
4. Over-Center-Locks for mattress
5. Same loading quantity with mattress

Package Information:

Pallets for complete assembled version

Pallets for partly assembled version

MOQ: 20 feet

Delivery (loading) time: 20 working days

Price: FOB Shanghai

Container Loading Capacity

Code	Mounting Width(mm)	Frame Width (cm)	Mattress Width (cm)	Quantity per 40HQ		
				W/Pallets	W/O Pallets	Unassembled
TFN44(S/P/K)	1118	100	91	288	390	585
TFN52(S/P/K)	1321	120	114	252	351	520
TFN60(S/P/K)	1524	140	132	200	284	455
TFN64(S/P/K)	1626	150	140	200	273	455



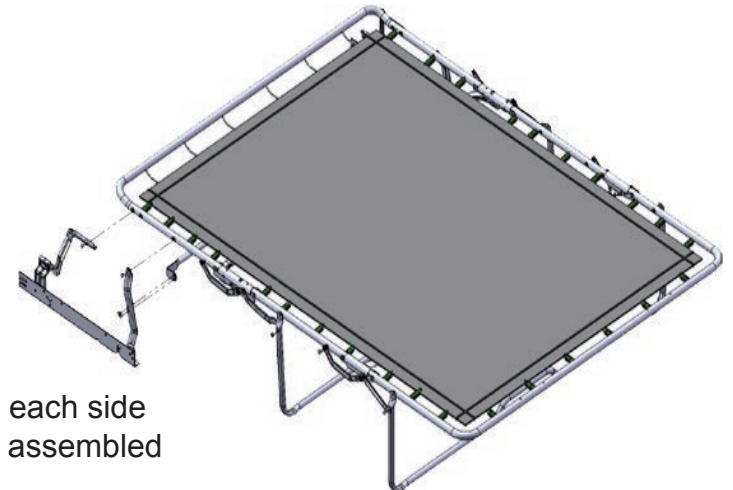
Separately loaded in container



Slats with flexible springs connection



Front support bar optional



Take off 7 rivets each side
Delivered partly assembled