

TF00
S E R I E S



*TF00 SERIES 3-FOLD RESIDENTIAL
"OTTOMAN" SOFABED MECHANISMS*

SHALLOW MOUNTING SPACE

Only 64 cm to save room and container space.

EAR BRACKETS

Protect the mechanism from side to side.

LOW LINKAGE

Keeps all metal parts below the mattress line, probably the easiest to operate in the industry.

TIGHTER WEAVE AND SMOOTH PU-DECK

An Innovative Superb New tighter Weave material creates a more durable surface and eliminates wear and tear of the mattress, cushions and upholstery fabric.

**OVER-CENTRE-LOCKS
HEAVY DUTY TUBE HINGE**

Encloses very well the mattress for comfortable sitting and to reduce sitting noise.

INCREASE HELICAL QUANTITY

For comfort and durability.

PLASTIC PROTECTORS

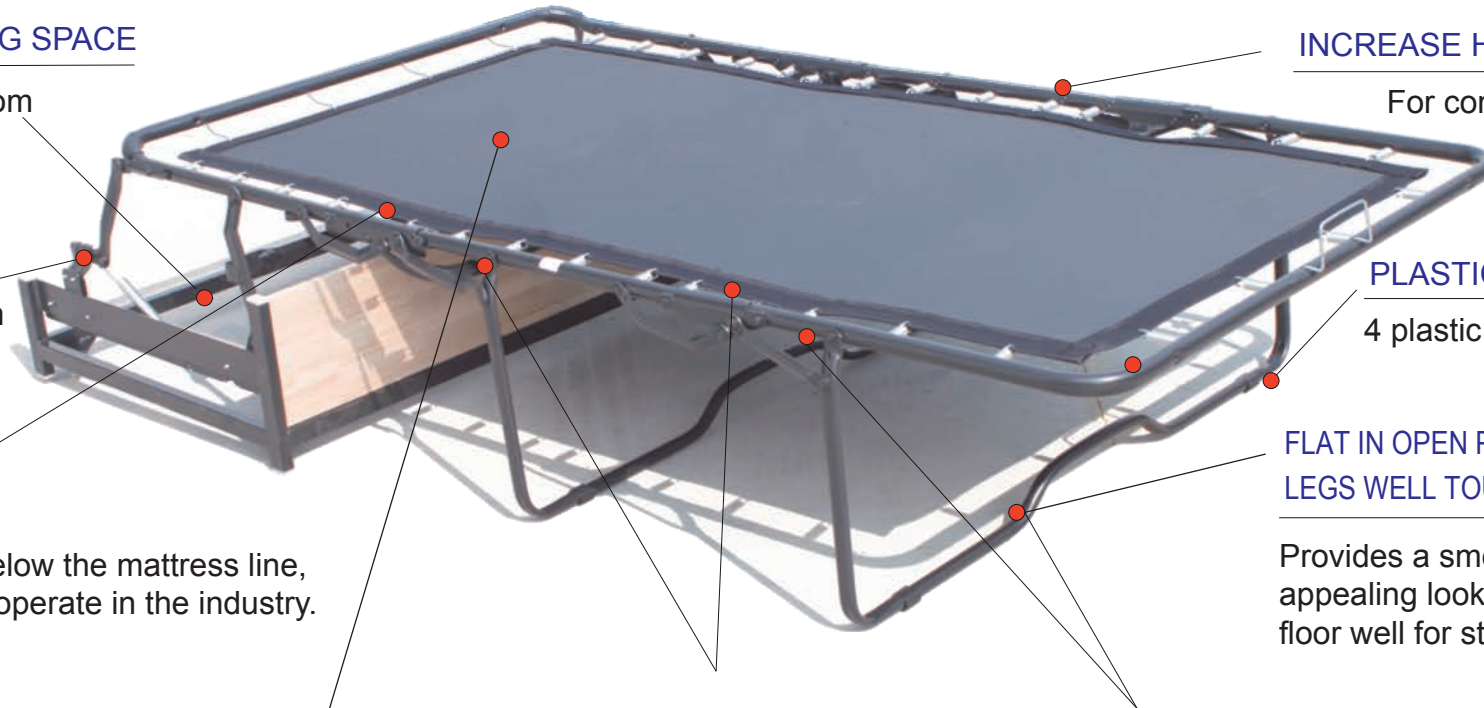
4 plastic feet to protect the floor.

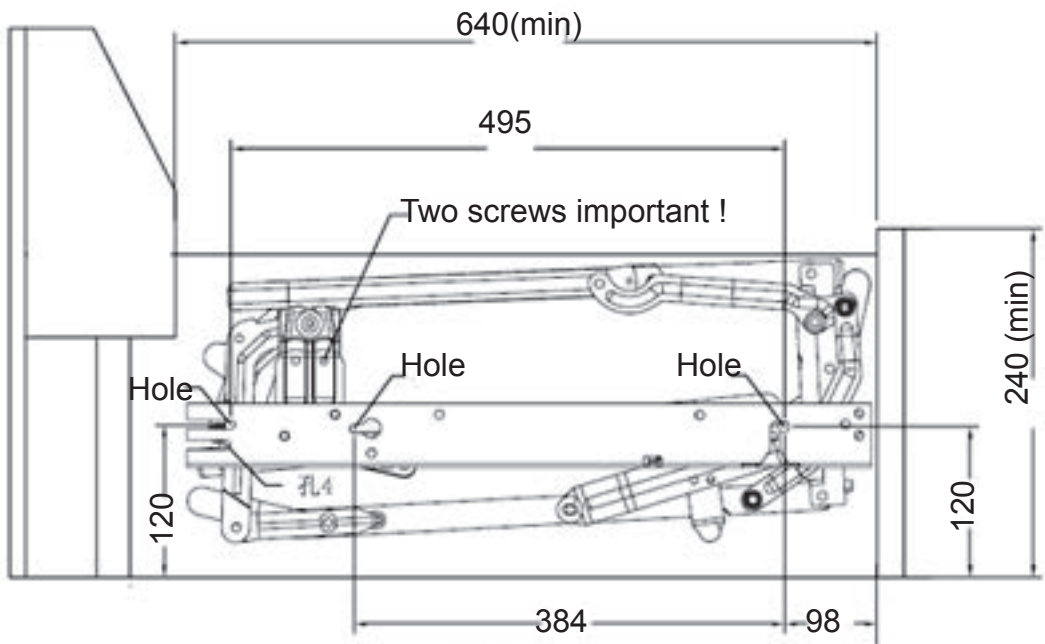
**FLAT IN OPEN POSITION
LEGS WELL TOUCH THE FLOOR**

Provides a smooth and visually appealing look, legs touch the floor well for stability and strength.

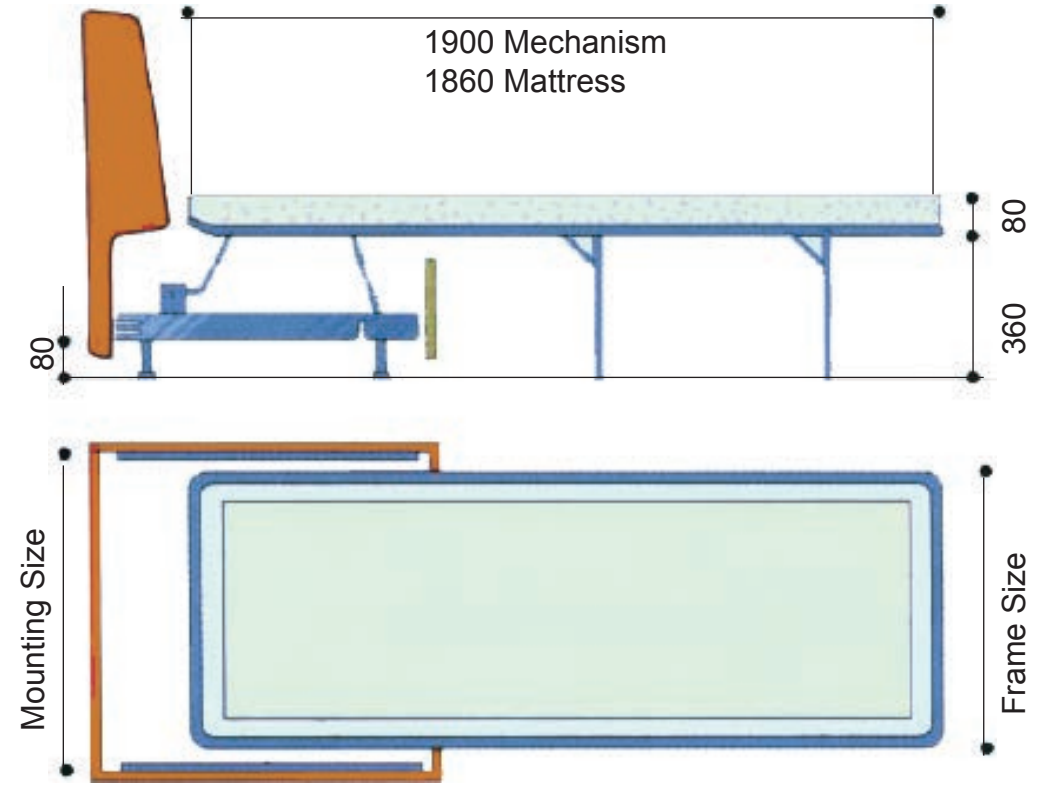
DUAL ONE PIECE CURVED LEGS

Provides enhanced stability and strength, allowing the unit to be operated from the center or side location.





(in general, dimensions in mm)



Description: 3-fold sofa bed mechanism
Item Number: TF00/P/K/S/M
 P-2 slats K-4 slats
 S-all slats M- Front U bar
 00 - Code (next page)

Material: Steel Tube, thickness 1,5 mm
Slats Size: 60x10 mm
Slats Type: Birch and flexible spring connections
Color: Black or Silver grey

Mattress: 8 cm thick foam -or spring mattress

Finish: Epoxy powder coated
Made in: Jiaxing, China
Usage grade: Occasionally

- Advantage:**
1. Super easy to operate
 2. Flat in open position and legs touch the floor well
 3. Innovative Superb New tighter Weave material
 4. Over-Centre-Locks for mattress
 5. Same loading quantity with mattress

Package Information:
 Pallets for complete assembled version
 Pallets for partly assembled version
MOQ: 20 feet
Delivery (loading) time: 20 working days
Price: FOB Shanghai

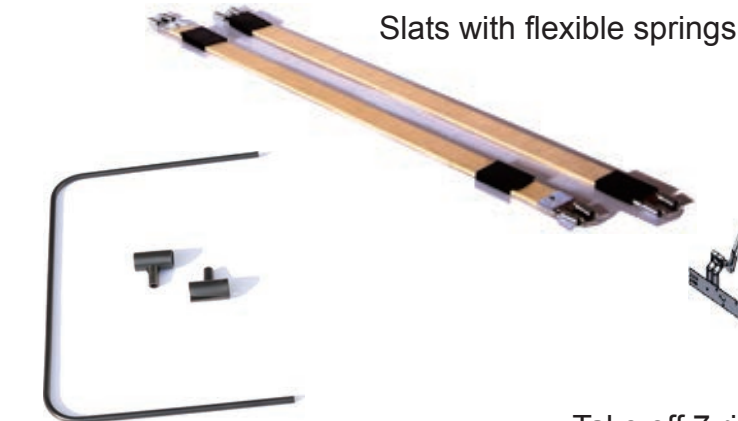
Container Loading Capacity

Code	Mounting Width(mm)	Frame Width (cm)	Mattress Width (cm)	Quantity per 40HQ		
				W/Pallets	W/O Pallets	Unassembled
TF32(S/P/K)	813	70	61	526	602	NA
TF36(S/P/K)	914	80		481	516	NA
TF40(S/P/K)	1016	90		431	473	NA
TF44(S/P/K)	1118	100	91	404	464	594
TF48(S/P/K)	1219	110		357	387	NA
TF52(S/P/K)	1321	120		333	344	528
TF55(S/P/K)	1397	130		322	344	NA
TF60(S/P/K)	1524	140	132	275	301	462
TF64(S/P/K)	1626	150	140	275	301	462
TF68(S/P/K)	1727	160	140	254	258	NA

Packed and wrapped on pallet



Separately loaded in container



Slats with flexible springs

Front support bar, optional



Take off 7 rivets each side
Delivered unassembled

