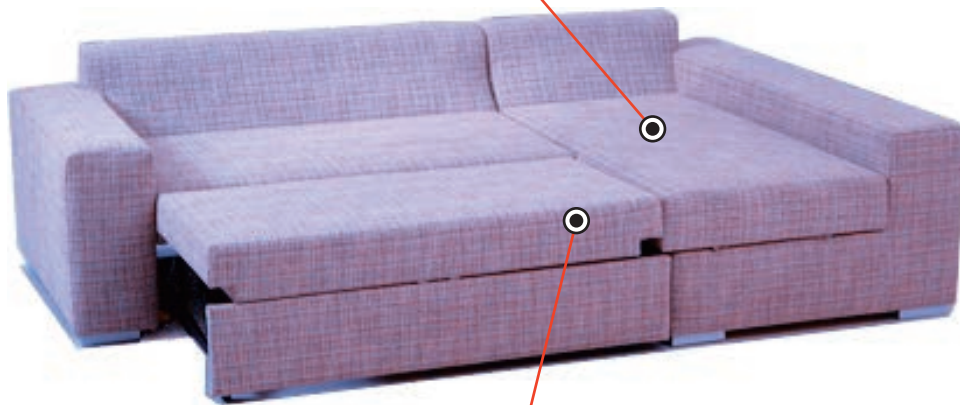


PSR00
S E R I E S

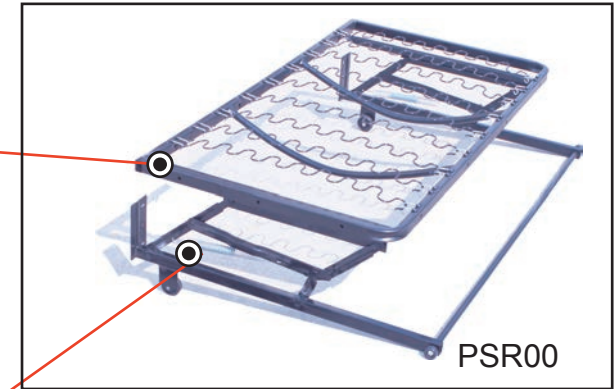


*PSR00 SERIES RESIDENTIAL PULLOUT
SLEEPING SOFABED MECHANISMS*



METAL SPRING SEAT BOX

Keeps the unit straight and enhances the unit strength, provides comfortable sitting and sleeping.



OPTIONAL ASSISTANT POWER SPRINGS

It is easy to open the mechanism with the power springs assistant. Optional for one or two springs. If the cushion is heavy, 2 springs are necessary.

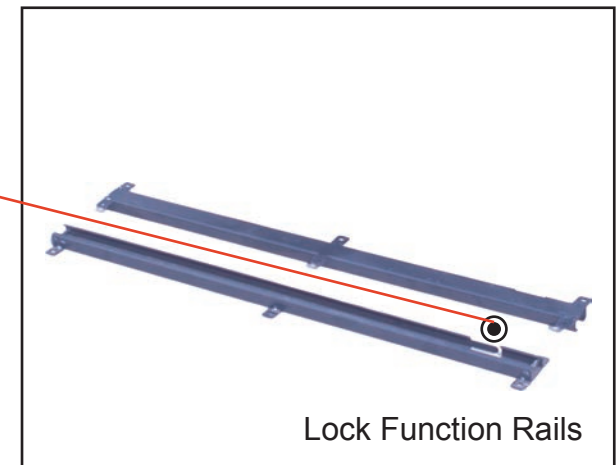


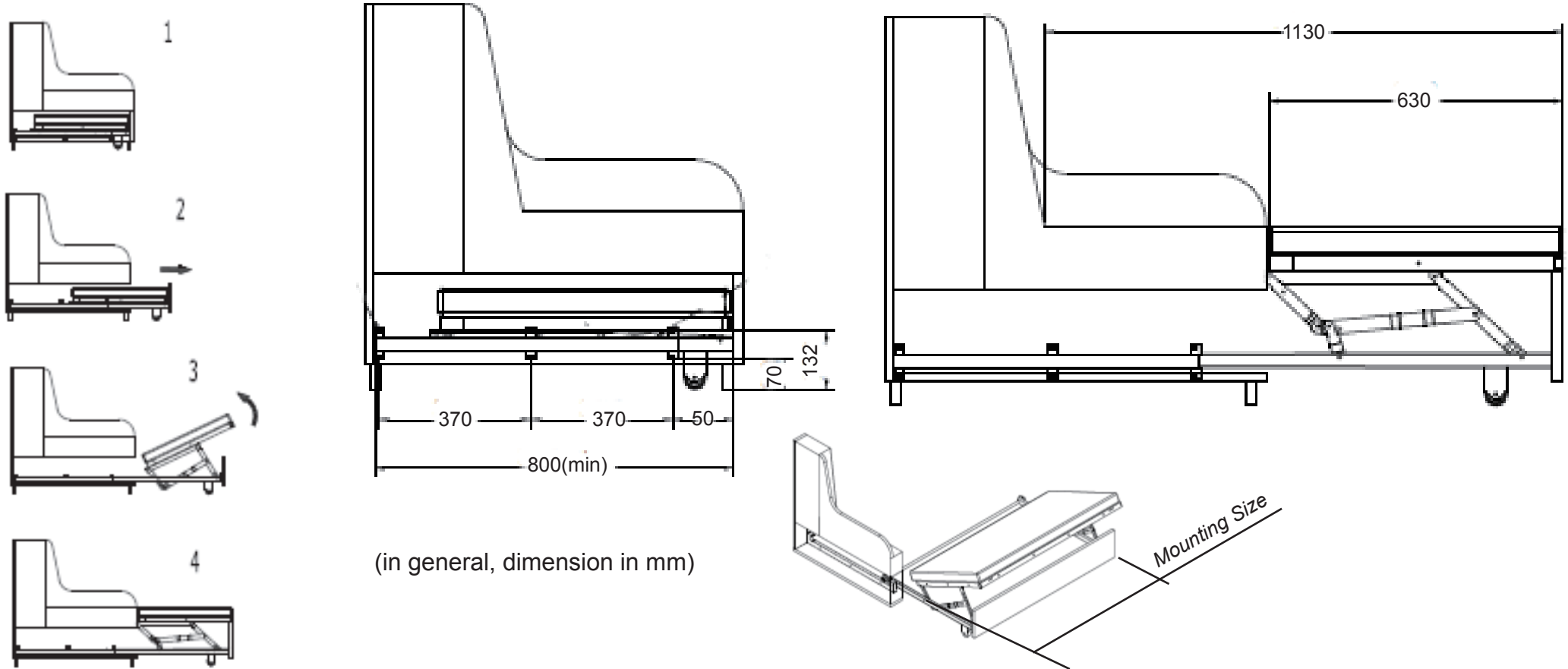
LOCK SYSTEM IN FULL OPEN POSITION

A necessary safety feature, keeping the unit in fully open position when the front stump board is not strong enough.

LOCK FUNCTION RAILS

The rails are engineered to prevent the mechanism going out of the rails during operation.





Description: Slide sofa bed mechanism
Item Number: PSR48, PSR60

Material: Seatbox tube thickness
 1.2 mm, other tube 1.5 mm

Mounting Size: 112, 122, 152 cm

Color: Black or Silver grey

Finish: Epoxy powder coated

Made in: Jiaxing, China
Usage grade: Daily Sleeping

Advantages:

1. Easy to operate
2. Well locked in fully open position
3. Power spring assistant to open easily
4. Lock function slide design

Package Information:

Pallets for partly unassembled version
 PSR44/48/60 : 302 units per 20feet
 SEC44/48/60: 1260 units per 20 feet

MOQ: 20 feet

Delivery (loading) time: 20 working days

Price : FOB Shanghai