

MF00
S E R I E S



*MF00 EXTRA LONG SERIES 2-FOLD
RESIDENTIAL DAILY SLEEPING MECHANISMS*



DOUBLE LOCKING TV HEADREST

Provides added comfort while, lounging or watching TV by raising the upper body. To reduce field failures, the headrest also restricts the unit from being tilted while in the "up" position.



REVITED ANTI-TILT SYSTEM

A necessary safety feature, keeping the unit in contact with the floor at all times in the open position.

ENGINEERED LOW PROFILE LINKAGE

The linkage has been engineered to keep all metal parts below the mattress line, probably the easiest to operate in the industry.

CONTOURED SEAT SECTION

Offers a wider seating area by allowing seating close to the arm.

SUPER STRONG SHORT REVITS

Special super strong short rivets to secure a comfortable daily sleeping and easy to operate

ANGLE IRON FREAME CONSTRUCTION

Special designed angle iron profile to provides heavy duty loading capacity, which is tested with a 500 kg load in the flat lay-out position.

OVER-CENTRE LOCKS TIGHTER WEAVE FLEXIBLE WEBBING

Wonderful sitting feeling, because the mattress is well locked from all directions plus high quality webbing belts in the seat area.

DUAL ONE PIECE TUBULAR LEGS & PLASTIC PROTECTORS

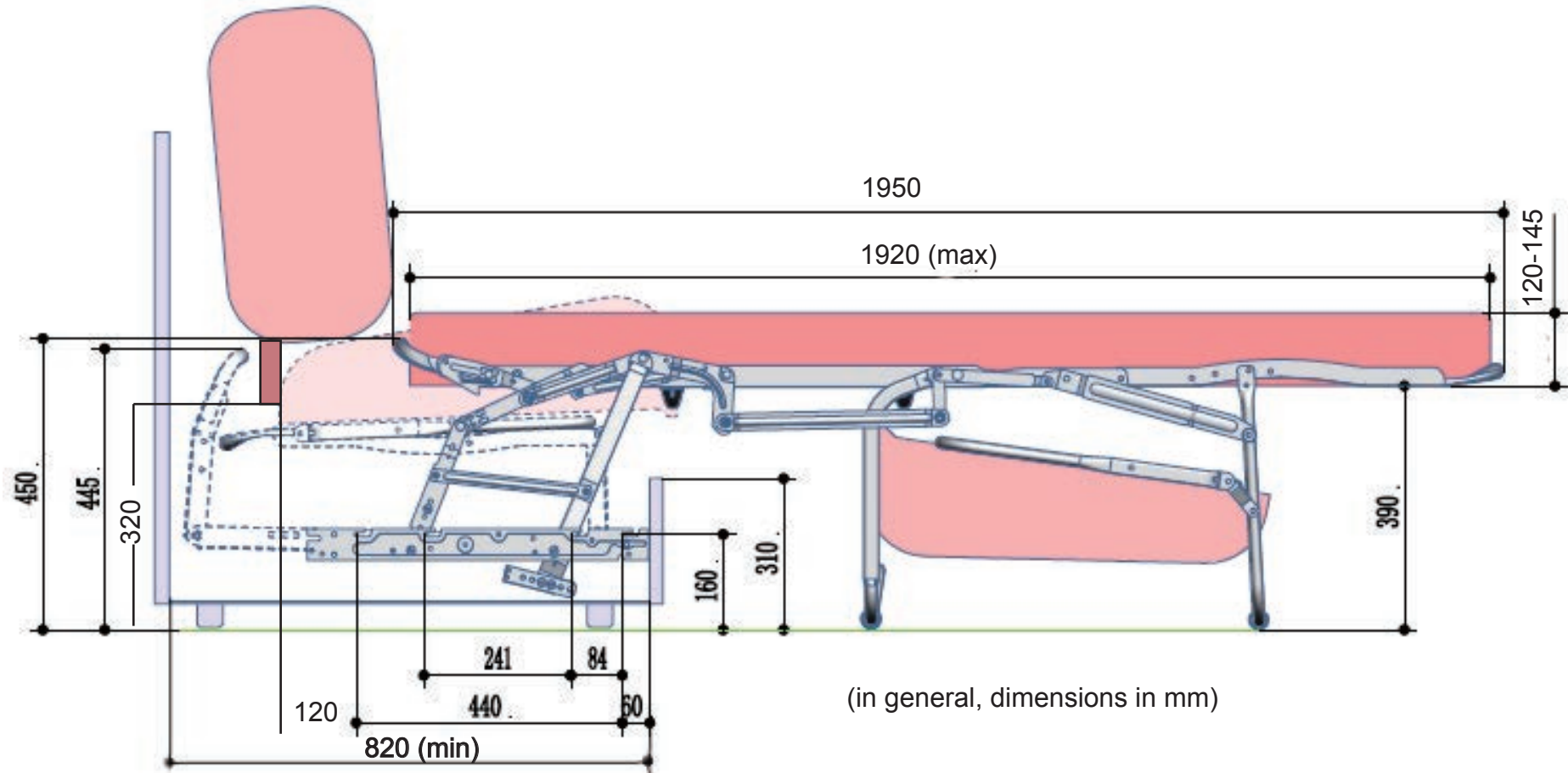
Provides enhanced stability and strength, allowing the unit to be operated from the center or side position.
4 plastic feet to protect the floor.

THICK & WIDER CUSHION FLIPPER

Designed for very thick and wider cushions for the most comfortable sitting.

Optional for Oxford Base





Description: 2-fold sofa bed mechanism

Item Number: MF00/MF00W

00 - Code (next page)

MF00W-Metal grid and webbing

MF00-Oxford base

Material: Steel Tube, thickness 1,8 mm

Angle iron 30x30x2.5 mm

Color: Black or Silver grey

Matress thickness: 12-14,5 cm

Finish: Epoxy powder coated

Made in: Jiaxing, China

Usage grade: Daily sleeping

Advantage:

1. Cushion staying with mechanism
2. Comfortable sleeping and sitting
3. Daily sleeping
4. Super easy to operate

Package Information:

Pallets for complete assembled version

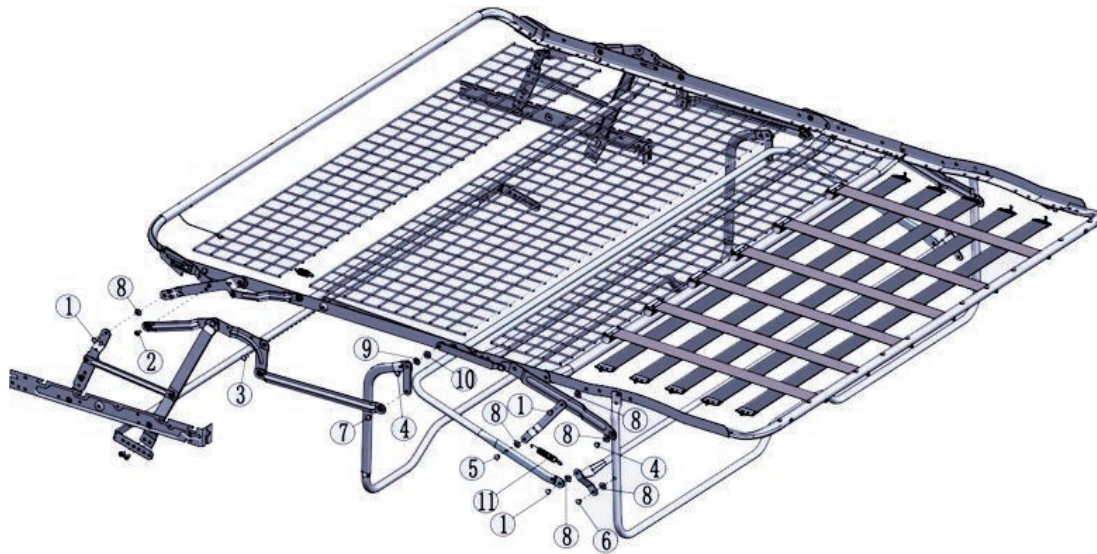
Pallets for partly assembled version

MOQ: 20 feet

Delivery (loading) time: 25 working days

Price: FOB Shanghai

Code	Mounting Width (mm)	Model Width (cm)	Mattress Width (cm)	Quantity per 40HQ		
				W/Mattress	W/O Mattress	Unassembled
MF60/W	1524	140	132	216	153	153
MF64/W	1626	150	142	168	153	153
MF68/W	1727	160	152	153	153	153



Partly assembled: 1-7: rivets, 8-10 washer, 11 springs

Completely unassembled as below:

