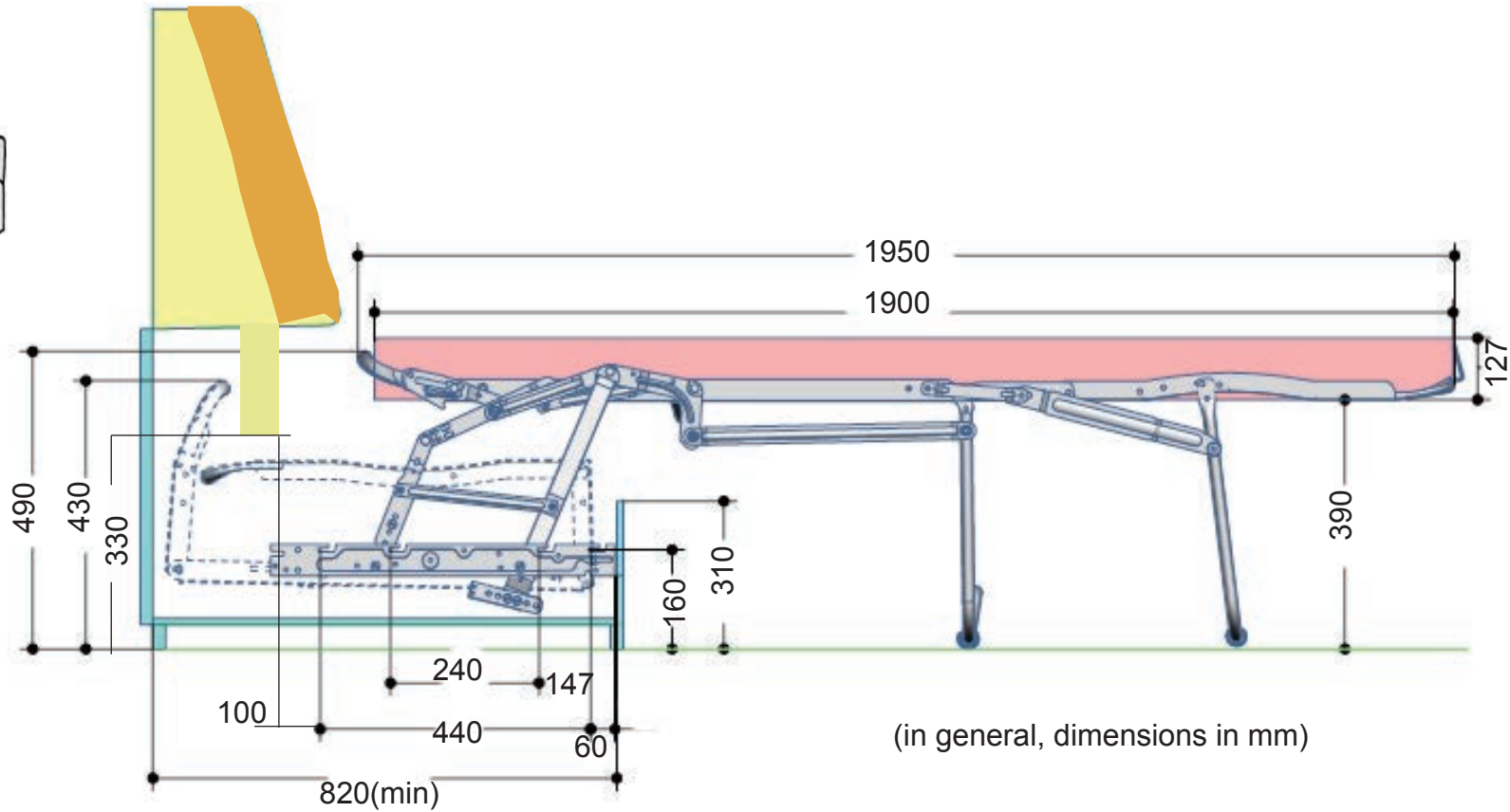
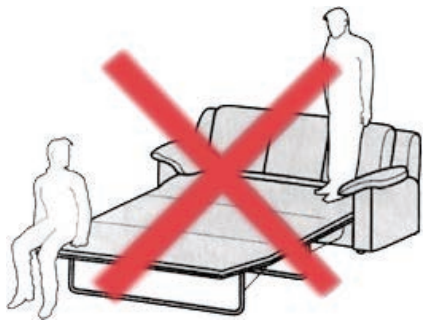


LF00
S E R I E S



*LF00 EXTRA LONG SERIES 2-FOLD
RESIDENTIAL DAILY SLEEPING MECHANISMS*



Description: 2-fold sofa bed mechanism

Item Number: LF00/SK/PK

00 - Code (next page)

SK-Slats and webbing

PK-Oxford base

Material: Steel Tube thickness 1.5-1.8 mm

Angle iron 30x30x2.5 mm

Color: Black or Silver grey

Matress thickness: ~13cm

Finish: Epoxy powder coated

Made in: Jiaxing, China

Usage grade: Daily sleeping

Advantage:

1. Extra long 1950 mm
2. Comfortable sleeping and sitting
3. Daily sleeping
4. Super easy to operate

Package Information:

Pallets for complete assembled version

Pallets for partly assembled version

MOQ: 20 feet

Delivery (loading) time: 20 working days

Price: FOB Shanghai

DOUBLE LOCKING TV HEADREST

Provides added comfort while, lounging or watching TV by raising the upper body. To reduce field failures, the headrest also restricts the unit from being tilted while in the "up" position.

ENGINEERED LOW PROFILE LINKAGE

The linkage has been engineered to keep all metal parts below the mattress line, probably the easiest to operate in the industry.

SUPER STRONG SHORT REVITS

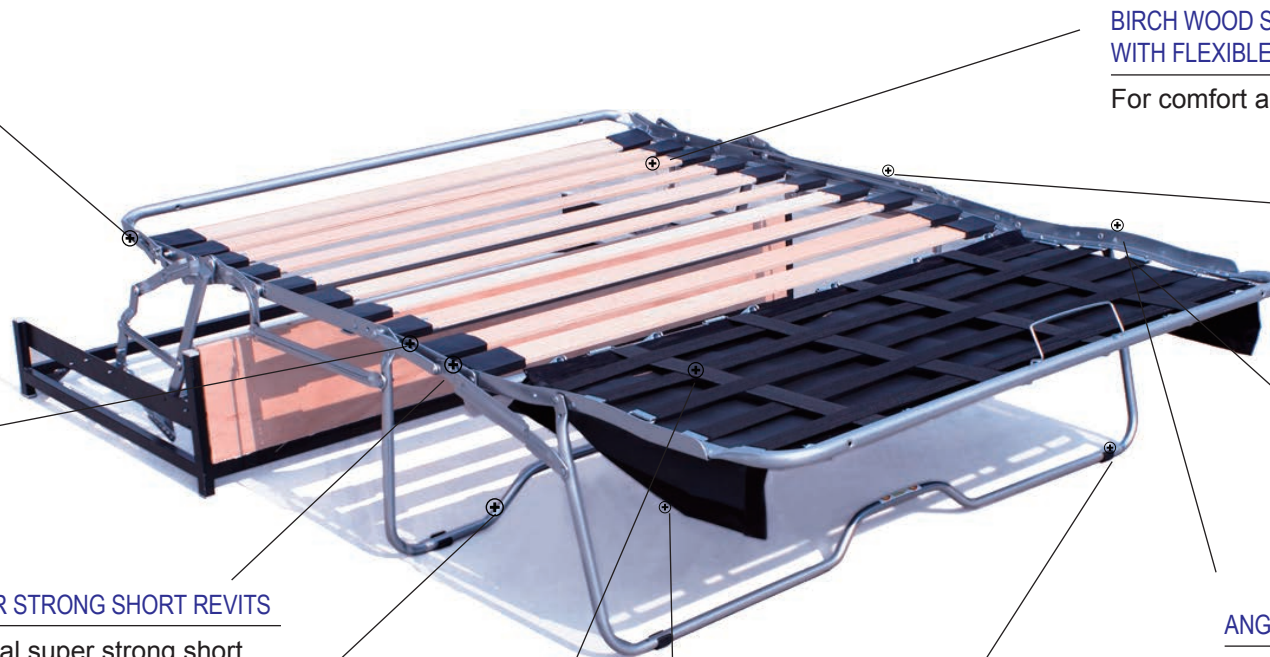
Special super strong short rivets to secure a comfortable daily sleeping and easy to operate.

DUAL ONE PIECE TUBULAR LEGS

Provides enhanced stability and strength, allowing the unit to be operated from the center or side position.

OVER-CENTRE LOCKS TIGHTER WEAVE FLEXIBLE WEBBING

Wonderful sitting feeling, because the mattress is well locked from all directions plus high quality webbing belts in seat area.



BIRCH WOOD SLATS WITH FLEXIBLE SPRINGS

For comfort and durability.

REVITED ANTI-TILT SYSTEM

A necessary safety feature, keeping the unit in contact with the floor at all times in the open position.

CONTOURED SEAT SECTION

Offers a wider seating area by allowing seating close to the arm.

ANGLE IRON FREAME CONSTRUCTION

Special designed angle iron profile to provide heavy duty loading capacity which is tested with a 500 kg load in a flat lay-out position

PLASTIC PROTECTORS

4 plastic feet to protect the floor

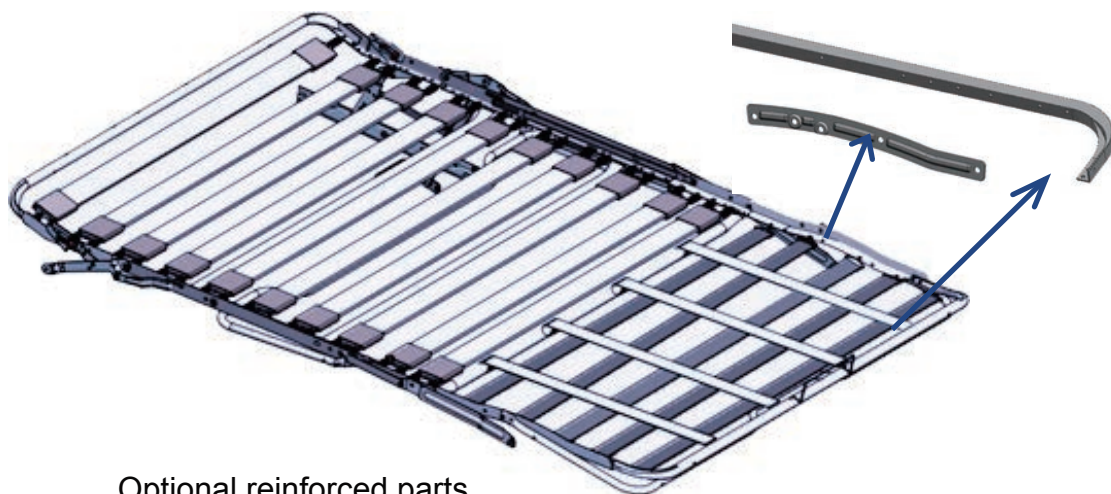
OPTIONAL EXTENDED DECK COVERAGE

The decking is designed to extend beyond the metal frame. The linkage parts eliminate any metal to upholstery contact.

Optional for Oxford Base

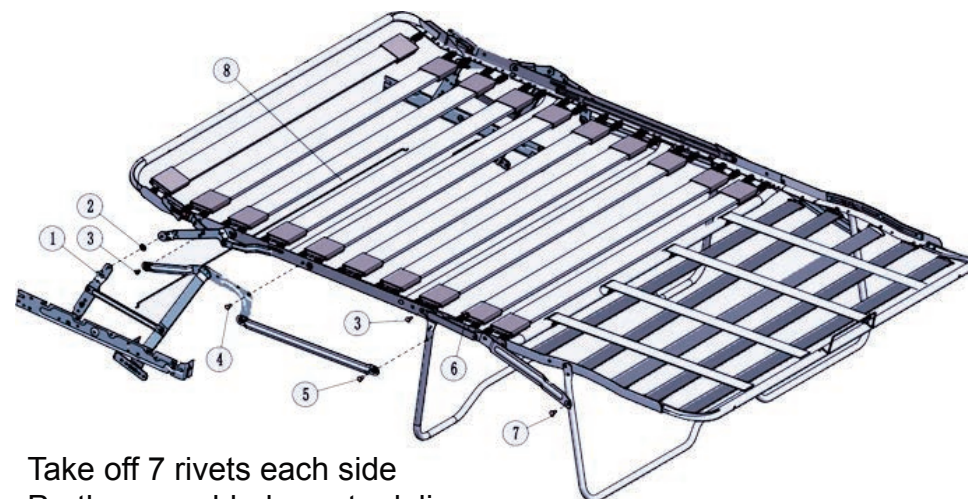


Code	Mounting Width (mm)	Frame Width (cm)	Mattress Width (cm)	Quantity per 40HQ		
				W/Mattress	W/O Mattress	Unassembled
LF52PK/SK	1321	100	92	216	252	448
LF60PK/SK	1524	140	132	177	213	427
LF68PK/SK	1727	160	152	153	185	366



Optional reinforced parts
Special for contract market use:

- 2 reinforced brackets added to contoured seat section.
- End of the tubular bar converts to a bigger square tube.



Take off 7 rivets each side
Partly assembled way to deliver.