

**DF00**  
S E R I E S



*DF00 SERIES 2-FOLD PREMIUM  
RESIDENTIAL DAILY SLEEPING MECHANISMS*



#### DOUBLE LOCKING TV HEADREST

Provides added comfort while lounging or watching TV by raising the upper body. To reduce field failures, the headrest also restricts the unit from being tilted while in the "up" position.

#### ENGINEERED LOW PROFILE LINKAGE

The linkage has been engineered to keep all metal parts below the mattress line, probably the easiest to operate in the industry.

#### SUPER STRONG SHORT RIVETS

Special super strong short rivets to secure a comfortable daily sleeping and easy to operate.

#### DUAL ONE PIECE TUBULAR LEGS AND PLASTIC PROTECTORS

Provides enhanced stability and strength, allowing the unit to be operated from the center or side position, 4 plastic feet to protect the floor

#### OVER-CENTRE LOCKS WIDER SEAT SUPPORT WIRES

Provides the quality feeling of a stationary seating, support wires add durability to overall unit.

#### CONTOURED SEAT SECTION

Offers a wider seating area by allowing seating close to the arm.

#### OPTIONAL EXTENDED DECK COVERAGE

The decking is designed to extend beyond the metal frame and linkage parts eliminating any metal to upholstery contact

#### WIDER BODY SUPPORT TUBES AND WIRES

eliminate sagging. The dual welded offset tubes keep the unit straight and enhance the unit strength.

#### REVITED ANTI-TILT SYSTEM

A necessary safety feature, keeping the unit in contact with the floor at all times in the open position.

#### TIGHTER WEAVE AND SMOOTH POLY DECK

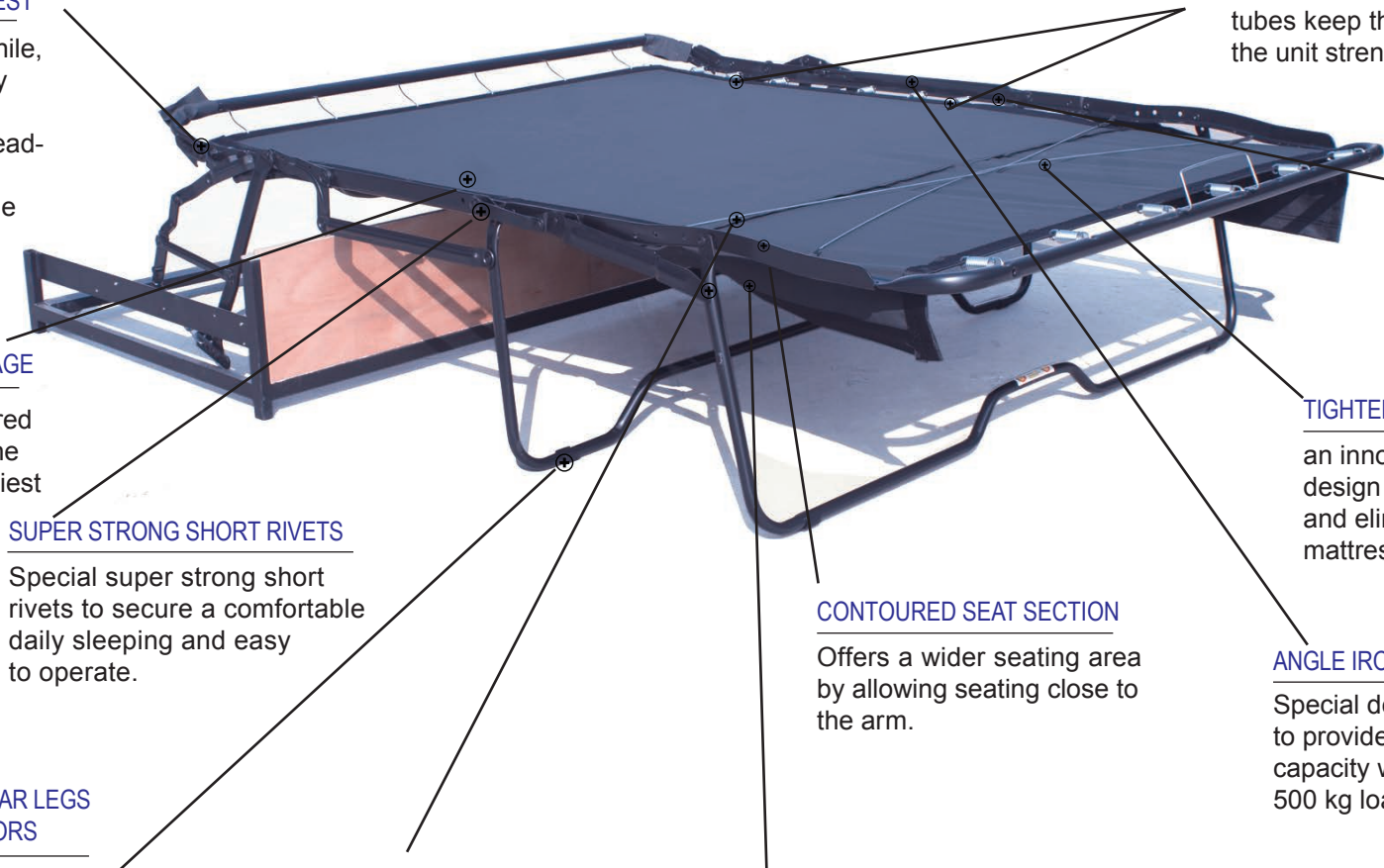
an innovative Superb New tighter Weave design creates a more durable surface and eliminates wear and tear of the mattress, cushion and upholstery fabric.

#### ANGLE IRON FRAME CONSTRUCTION

Special designed angle iron profile to provide heavy duty loading capacity which is tested with a 500 kg load in the flat lay-out position

#### OPTIONS:

- DF00H--STANDARD
- DF00V-- W/O TV HEADREST
- DF00S-- 4 SLATS ADDED
- DF00U-- CONTRACT MARKET



# DF00

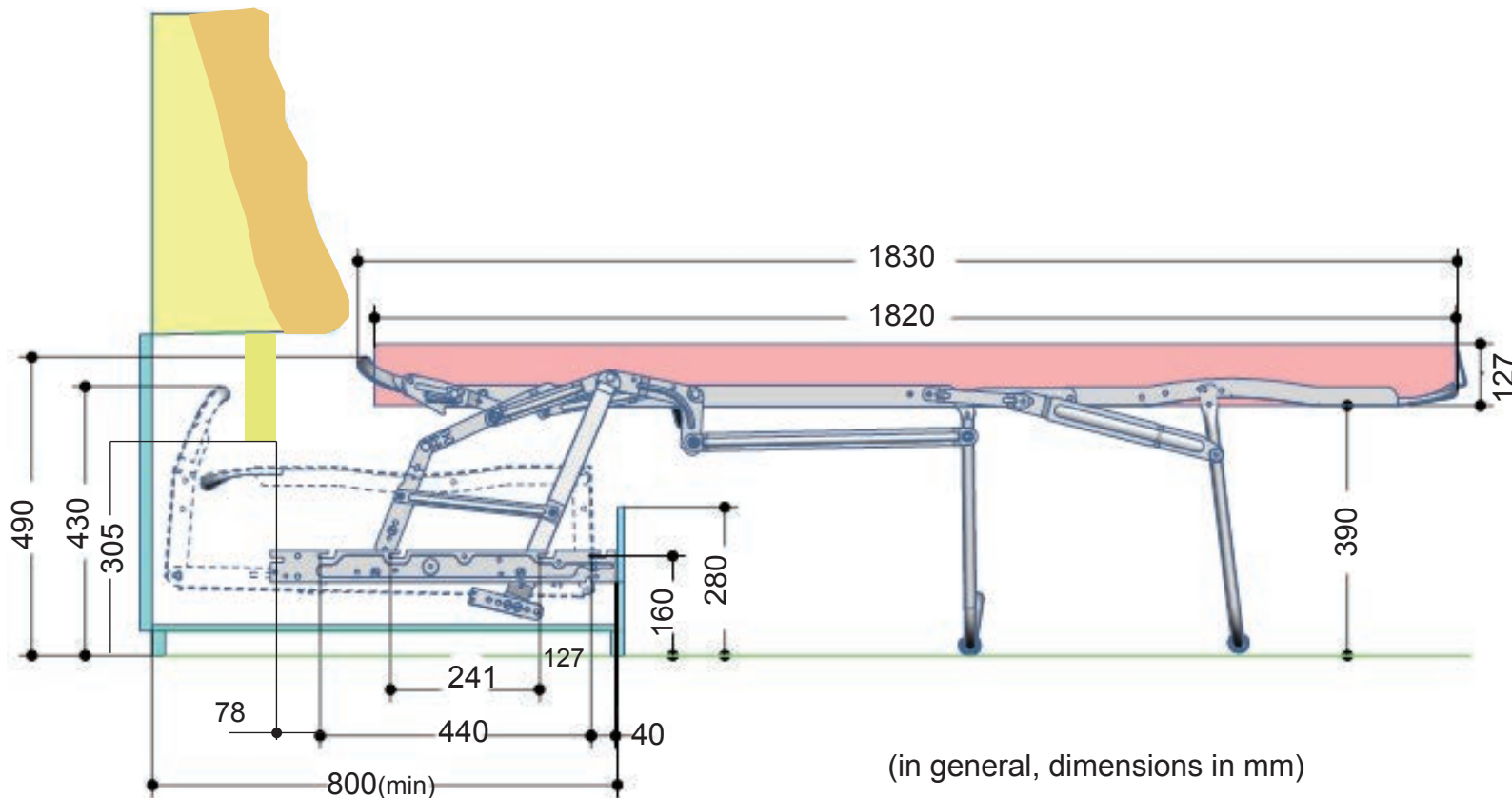
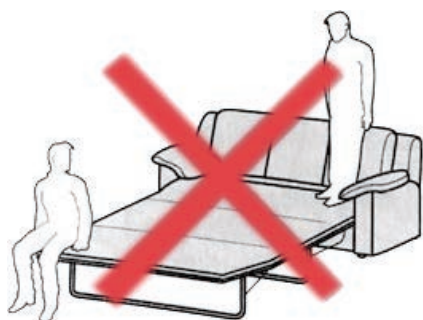
## S E R I E S



### DF00 SERIES 2-FOLD PREMIUM

### RESIDENTIAL DAILY SLEEPING MECHANISMS

SLP/2013\_02



**Description:** 2-fold sofa bed mechanism

**Item Number:** DF00H-- Standard

DF00V-- No headrest

DF00S-- 4 slats added

DF00U-- Contract market

**Material:** Steel tube, thickness 1,5mm

**Mounting Size:** 84,102,112,140,152,173 cm

**Color:** Black or Silver grey

**Matress thickness:** ~13cm

**Made in:** Jiaxing, China

**Usage grade:** Daily sleeping

**Finish:** Epoxy powder coated

**Advantage:**

1. More comfortable sitting and sleeping
2. Loading capacity 200 kg
3. Innovative Superb New tighter Weave deck material.
4. Wider body support and foot support wires
5. Super strong short rivets application

**Package Information:**

Pallets for complete assembled version

Pallets for partly unassembled version

**MOQ:** 20 feet

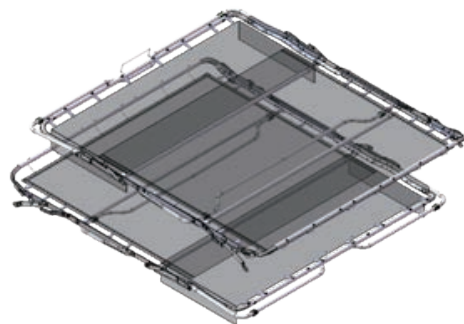
**Delivery (loading) time:** 20 working days

**Price:** FOB Shanghai

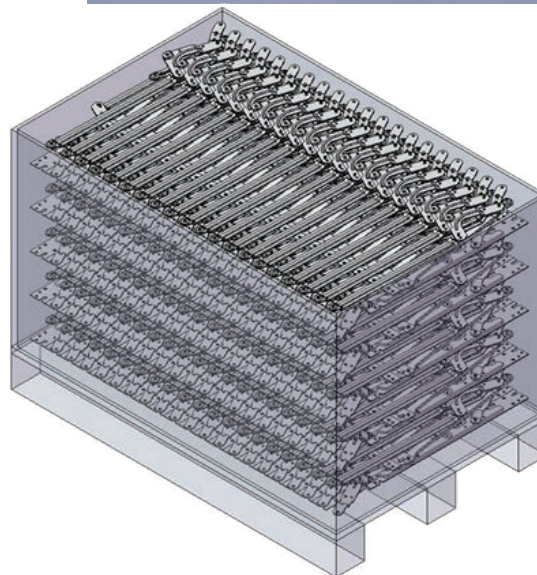
Code	Mounting Width (mm)	Model Width (cm)	Mattress Width (cm)	Quantity per 40HQ		
				W/Mattress	W/O Mattress	Unassembled
DF33	838	70	64	376	480	832
DF40	1016	90	81	328	378	640
DF44	1118	100	92	292	354	576
DF48	1219	110	102	236	309	NA
DF55	1397	130	120	226	270	448
DF60	1524	140	132	216	258	448
DF68	1727	160	153	182	213	384



Partly assembled shipment



Bed frame layers



Side linkage layers

