

6566/6568
S E R I E S



MODERN RECLINER

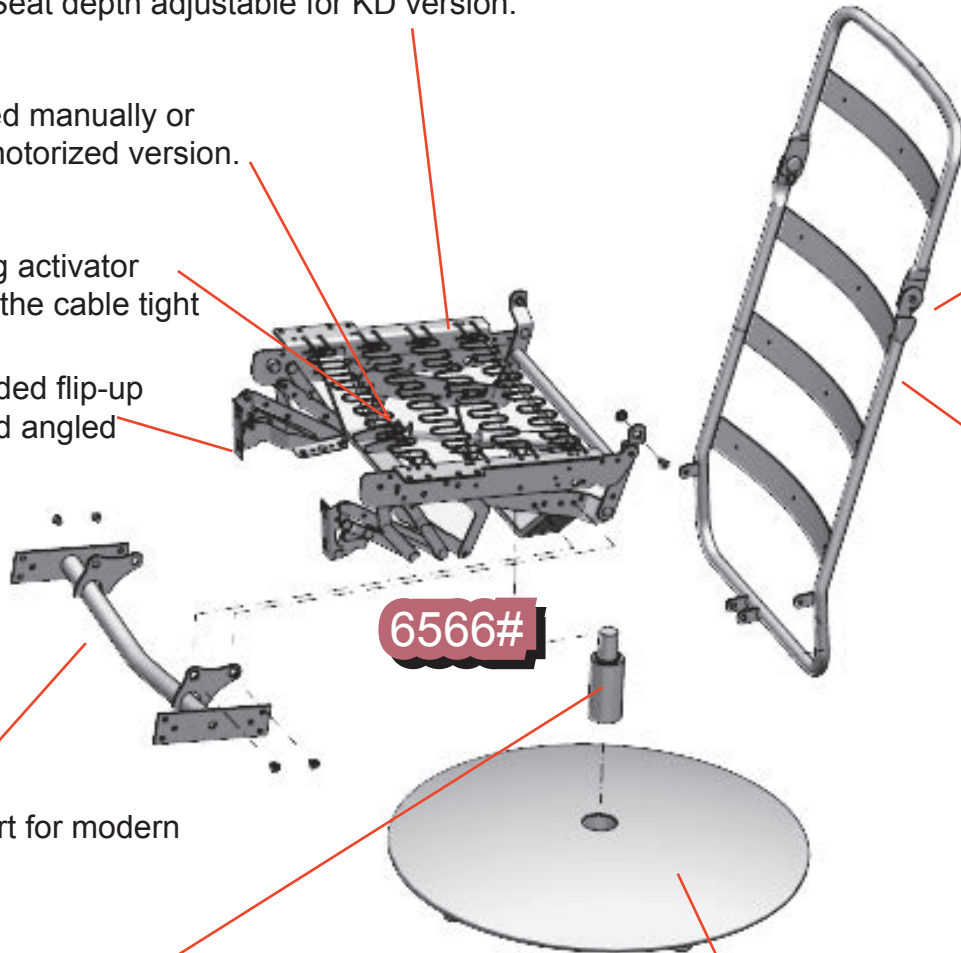


Heavy duty seat frame with great stability and durability. Seat depth adjustable for KD version.

Operated manually or single motorized version.

Special gas spring activator designed to keep the cable tight

Optional for extended flip-up footrest (6566) and angled footrest (6568)



6566#

Connection part for modern arms design

Heavy duty 50mm aluminum swivel

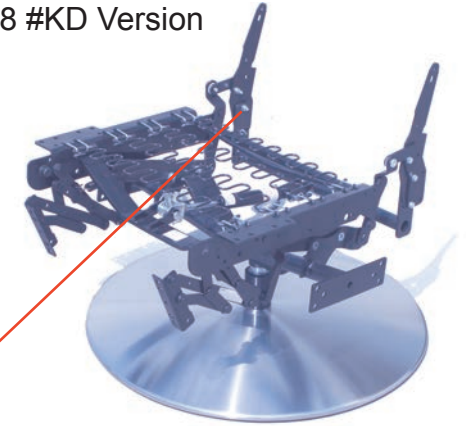
Heavy duty stainless steel base Ø 625mm

Multi positioning headrest

Optional for fixed backrest and KD backrest

Handle with 2-level concept

6568 #KD Version



2.65BSR-C



SW.CLN-1425B

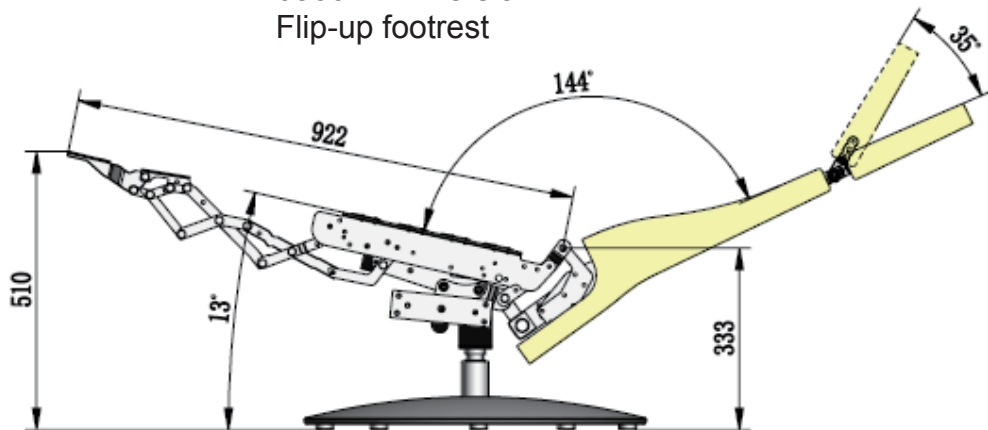


PJ.HNG-100

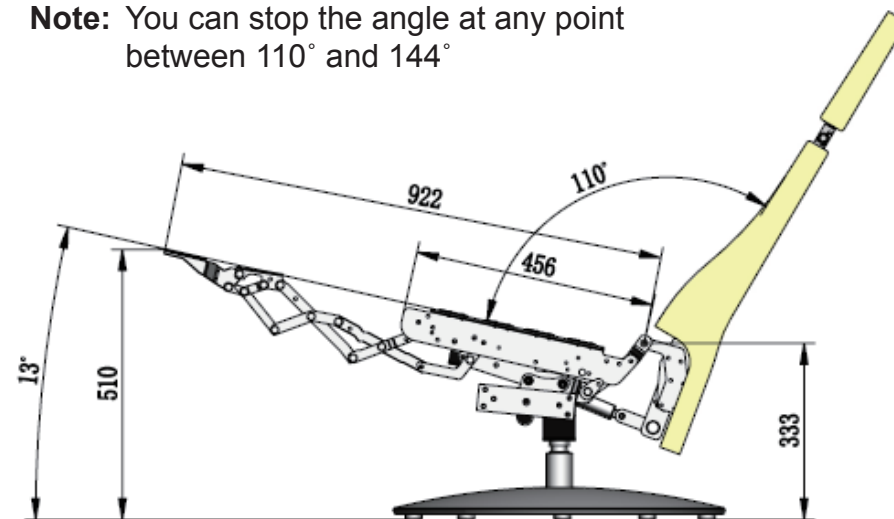


SW.SB001-A35

6566 #KD Version
Flip-up footrest

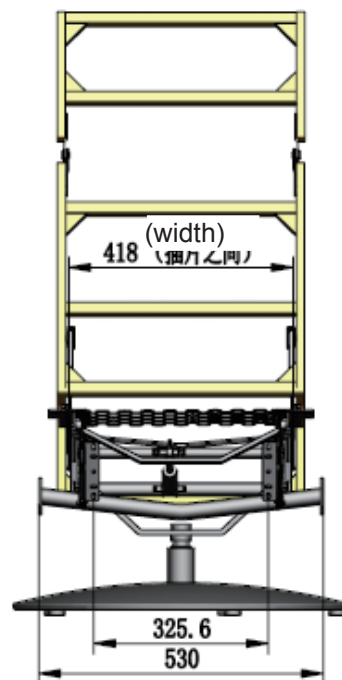
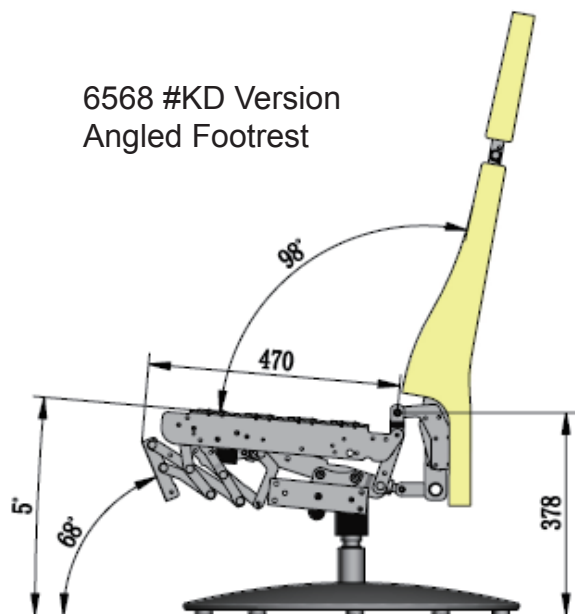


Note: You can stop the angle at any point between 110° and 144°



(in general, dimensions in mm)

6568 #KD Version
Angled Footrest



6566 App



6568 App

6566/6568

S E R I E S



MODERN RECLINER

MECHANISM 6566/6568

MEC/2013_01



*Polywood box for mechanism and swivel base
Carton box for other parts
Full set (with swivel & fixed backrest) 240 units/20feet
Full set (with swivel & KD backrest) 280 units/20feet
KD backrest without swivel 350 units/20feet
6566 & 6568 have the same container loading capacity*

*MOQ: 20 feet
Delivery (loading) time: 25 working days
Price : FOB Shanghai*

When using the recliner mechanism 6566 or 6568 for Love-seat or 3 seat-sofa we recommend our recliner fixing rail.