

3500
S E R I E S



*3500 SERIES 2-FOLD CONTRACT
(HOTEL) DAILY SLEEPING MECHANISMS*

3500

S E R I E S



3500 SERIES 2-FOLD CONTRACT (HOTEL) DAILY SLEEPING MECHANISMS

ENGINEERED LOW PROFILE LINKAGE

The linkage has been engineered to keep all metal parts below the mattress line, probably the easiest to operate in the industry.

DOUBLE LOCKING TV HEADREST

Provides added comfort while, lounging or watching TV by raising the upper body. To reduce field failures, the headrest also restricts the unit from being tilted while in the "up" position.

SUPER STRONG SHORT REVITS

Special super strong short rivets to secure a comfortable daily sleeping and easy to operate.

DUAL ONE PIECE TUBULAR LEGS AND PLASTIC PROTECTORS

Provides enhanced stability and strength, allowing the unit to be operated from the center or side position, 4 plastic feet to protect the floor.

OVER-CENTRE LOCKS

WIDER SEAT SUPPORT WIRES

Provides the quality feeling of a stationary seating, support wires add durability to the overall unit.

OPTIONAL EXTENDED DECK COVERAGE

The decking is designed to extend beyond the metal frame and the linkage parts eliminate any contact between the metal and the upholstery.

ANGLE IRON FREAME CONSTRUCTION

Special designed angle iron profile to provide heavy duty loading capacity, which is tested with a 500 kg load in the flat lay-out position.

WIDER BODY SUPPORT TUBES AND WIRES

eliminate sagging. The dual welded offset tubes keep the unit straight and enhance the unit strength.

REVITED ANTI-TILT SYSTEM

A necessary safety feature, keeping the unit in contact with the floor at all times in the open position.

CONTOURED SEAT SECTION

Offers a wider seating area by allowing seating close to the arm.

ANGLE IRON PLUS AND HELICALS INCREASE

Allow people sit at the end of the bar and enhances the durability to meet hotel use requirements.

TIGHTER WEAVE AND SMOOTH POLY DECK

An innovative New Superb tighter Weave design creates a more durable surface and eliminates wear and tear of the mattress, cushion and upholstery fabric.



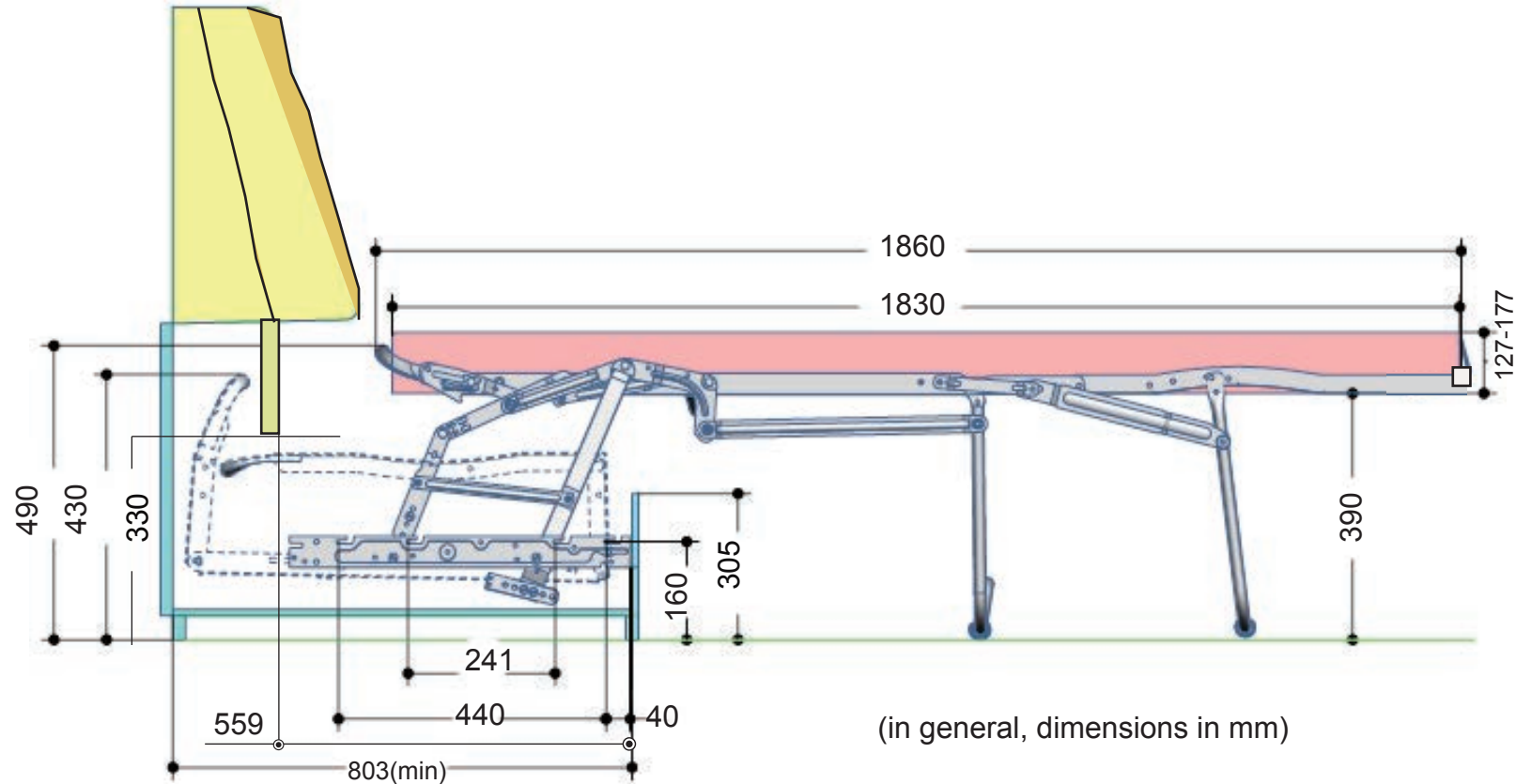
ANGLE IRON PLUS

3500

S E R I E S



3500 SERIES 2-FOLD CONTRACT (HOTEL) DAILY SLEEPING MECHANISMS



Description: 2-fold sofa bed mechanism
Item Number: 3500
 00 - code (next page)

Made in: Jiaxing, China
Usage grade: Contract market use
Finish: Epoxy powder coated

Package Information:
 Pallets for complete assembled version
 Pallets for partly unassembled version

Material: Steel tube, thickness 1,5mm
 Angle iron 30x30x2.5 mm

Advantage:

1. More comfortable sitting and sleeping
2. Loading capacity 200 kg
3. Innovative Superb New tighter Weave deck material
4. Wider body support and foot support wires
5. Super strong short rivets application

MOQ: 20 feet
Delivery (loading) time: 20 working days
Price : FOB Shanghai

Mounting Size: 112,140,152,173 cm
Color: Black or Silver grey

Matress thickness: 13-18 cm

3500

S E R I E S



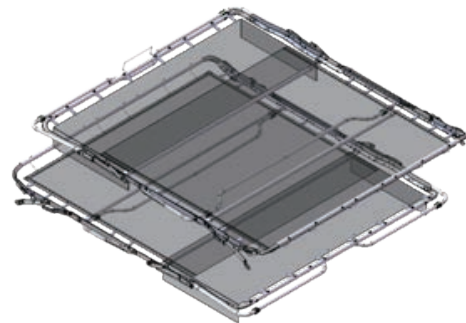
3500 SERIES 2 FOLD CONTRACT (HOTEL) DAILY SLEEPING MECHANISMS

| Code | Mounting Width (mm) | Frame Width (cm) | Mattress Width (cm) | Quantity per 40HQ | | |
|------|---------------------|------------------|---------------------|-------------------|--------------|-------------|
| | | | | W/Mattress | W/O Mattress | Unassembled |
| 3540 | 1016 | 90 | 82 | 273 | 325 | 640 |
| 3544 | 1118 | 100 | 92 | 234 | 286 | 576 |
| 3548 | 1219 | 110 | 102 | 225 | 263 | 500 |
| 3555 | 1397 | 130 | 122 | 198 | 236 | 448 |
| 3560 | 1524 | 140 | 132 | 177 | 213 | 448 |
| 3568 | 1727 | 160 | 152 | 153 | 185 | 384 |

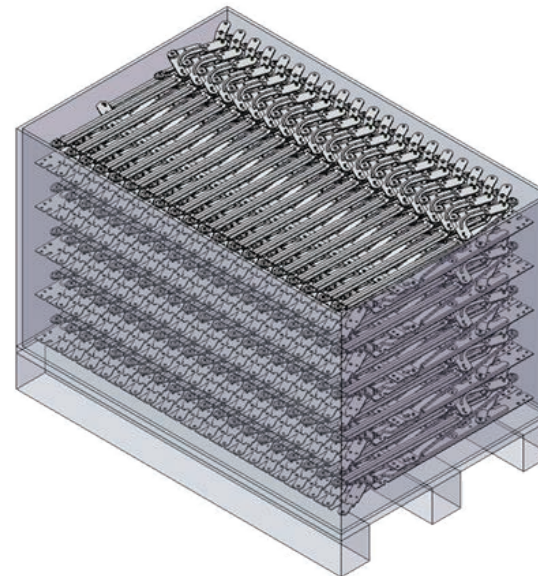
18 cm thick spring mattress



Partly assembled shipment



Bed frame layers



Side linkage layers