

2500
S E R I E S



*2500 SERIES PROMOTION RESIDENTIAL
SOFA SLEEPER MECHANISMS (2-FOLD)*

2500

S E R I E S



2500 SERIES PROMOTION RESIDENTIAL SOFA SLEEPER MECHANISMS (2-FOLD)

SLP/2013_03

DOUBLE LOCKING TV HEADREST

Provides added comfort while lounging or watching TV by raising the upper body. To reduce field failures, the headrest also restricts the unit from being tilted while in the "upper headrest" position.

ENGINEERED LOW PROFILE LINKAGE

The linkage has been engineered to keep all metal parts below the mattress line, while probably being the easiest to operate in the industry.

DUAL ONE PIECE TUBULAR LEGS

Provides enhanced stability and strength, allowing the unit to be operated from the center or side position.

EXTENDED DECK COVERAGE

The decking is designed to extend beyond the metal frame. The linkage parts eliminate any contact between the metal and the upholstery.

TIGHTER WEAVE AND SMOOTH POLY DECK

An innovative Superb New tighter Weave design creates a more durable surface and eliminates the wear and tear of the mattress, cushion and upholstery fabric.

ALL TUBULAR FRAME CONSTRUCTION

Provides a smooth and visually appealing look with improved safety (eliminating pinch points) and comfort in the seated position.

BODY SUPPORT TUBES AND WIRES

Together they enhance the support in the body section, eliminating sagging. The dual welded offset tubes keep the unit straight and enhance the unit strength.

CONTOURED SEAT SECTION

Offers a wider seating area by allowing seating close to the arm.

OPTIONAL SEAT SUPPORT WIRES

Provides support while sleeping, plus adding durability to the overall unit. Support wires also give the quality feeling of a stationary seating.

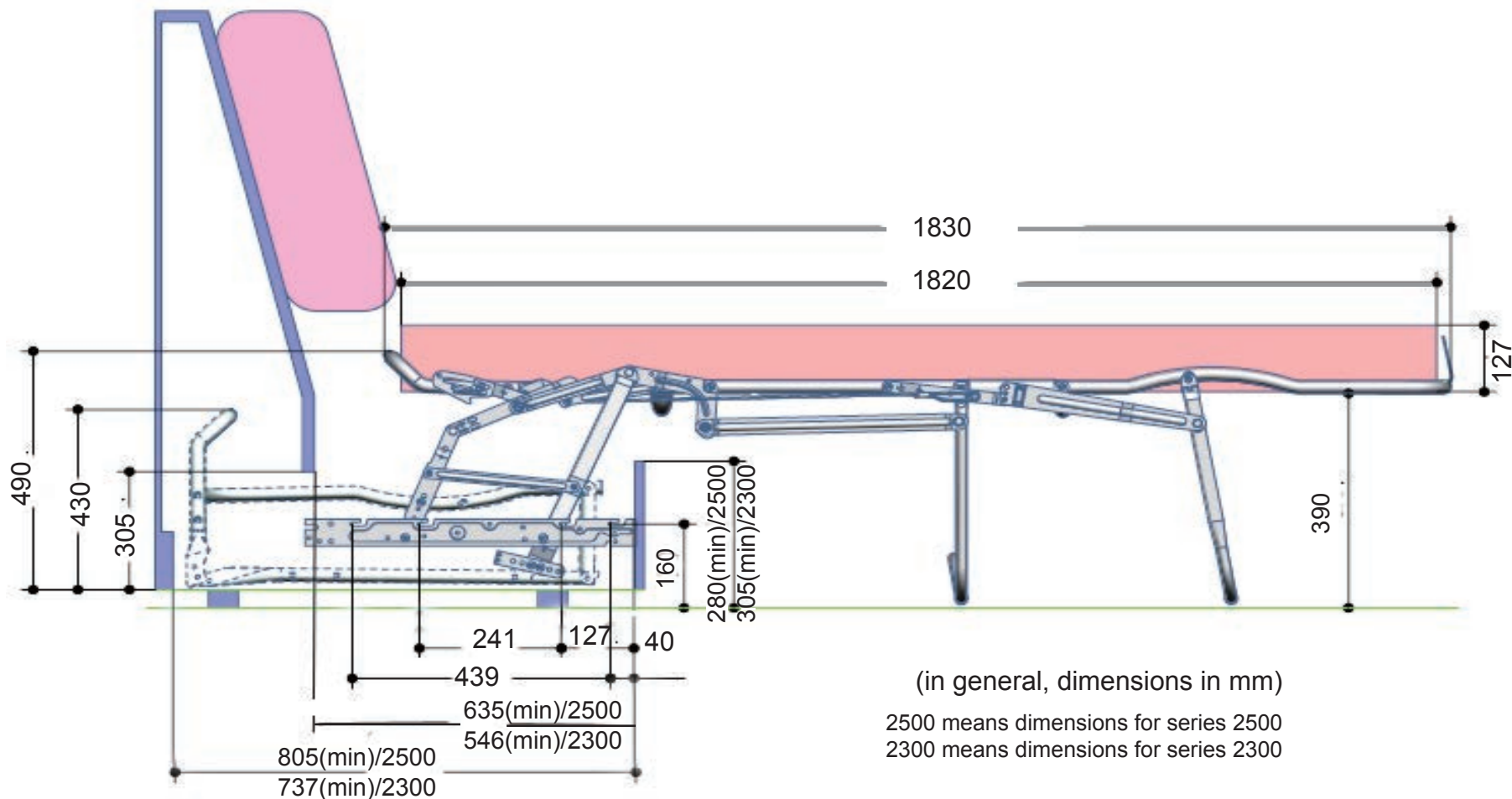
PLASTIC PROTECTORS

4 plastic feet to protect the floor.



Optional for Shallow mounting
version 2300 series

**NOTE: For daily sleeping we recommend our DFG00 series, which is a similar type!
100% wooden frame interchangeable**



Description: 2-fold sofa bed mechanism

Model Number: 2500 / 2300
00 - code (next page)

Made in: Jiaxing, China
Usage grade: Occasionally sleeper

Package Information:
Pallets for complete assembled version
Pallets for partly unassembled version

Material: Steel tube, thickness 1,5mm
Mounting Size: 112,140,152,173 cm
Color: Black or Silver Grey
Finish: Epoxy powder coated
Mattress thickness: ~13cm

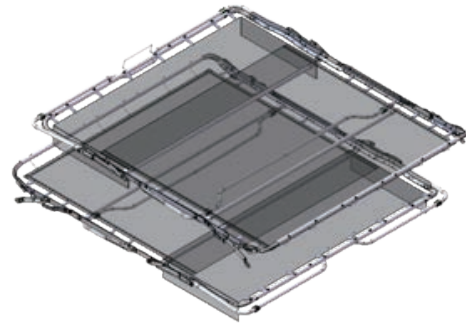
Advantage:
1. Super easy to operate
2. Flat in open position and legs touch the floor well
3. Innovative Superb New tighter Weave deck material.
4. Over-Centre-Locks for comfortable sitting.

MOQ: 20 feet
Delivery (loading) time: 20 working days
Price : FOB Shanghai

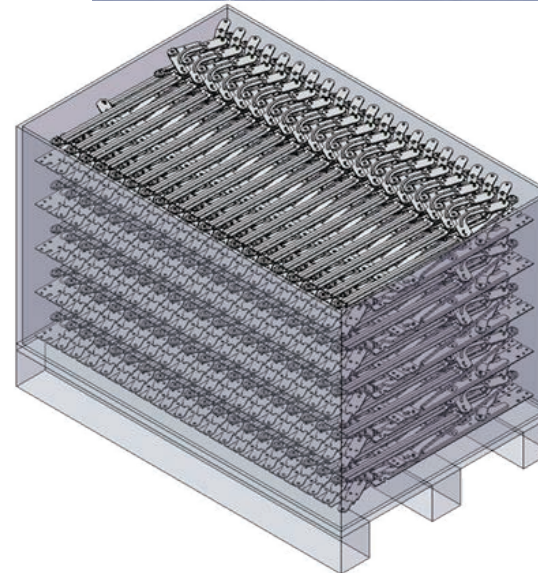
Code	Mounting Width (mm)	Frame Width (cm)	Mattress Width (cm)	Quantity per 40HQ		
				W/Mattress	W/O Mattress	Unassembled
2533	838	70	64	376	480	832
2540	1016	90	81	328	378	640
2544	1118	100	92	292	354	576
2548	1219	110	102	236	309	NA
2555	1397	130	120	226	270	448
2560/2360	1524	140	132	216	258	448
2568/2368	1727	160	153	182	213	384



Partly assembled shipment



Bed frame layers



Side linkage layers

